

# Adult Phenolic Folding Shower Seats

## "L" shape (RH/LH)

Configuration:  
**60/61 Series**  
Phenolic

### Application Use:



### Specifications

Folding shower seat manufactured from 1" (25mm) diameter, 18 gauge and 1.25" x 1.25" (32mm x 32mm), 16 gauge, type 304 stainless steel tubing with #4 satin finish. Wall mount brackets shall be 12 gauge type 304 stainless steel. Solid Phenolic seat shall be 1/2" (13mm) thick and shall be fire and mildew resistant. Shower Seat shall comply with all applicable federal, provincial and local building and safety codes.



Woodgrain shown, Also available in White

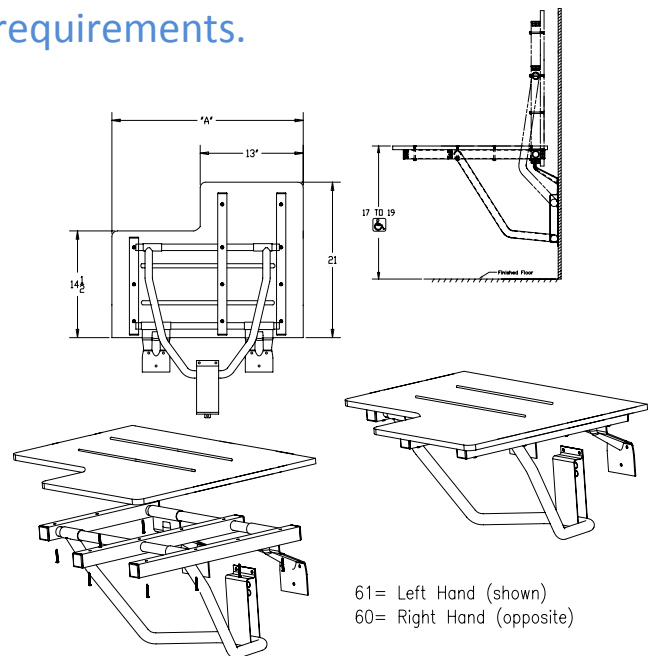
**\*\* LEFT HAND SHOWN , RIGHT HAND OPPOSITE ORIENTATION \*\***

### Custom sizes are available to suit special requirements.

|                             |           |                    |
|-----------------------------|-----------|--------------------|
| 26" x 21" (660mm x 533mm)   | White     | Model # 61-PH2601  |
| 26" x 21" (660mm x 533mm)   | Woodgrain | Model # 61-PH2615  |
| 28" x 21" (711mm x 533mm)   | White     | Model # 61-PH2801  |
| 28" x 21" (711mm x 533mm)   | Woodgrain | Model # 61-PH2815  |
| 30" x 21" (762mm x 533mm)   | White     | Model # 61-PH3001  |
| 30" x 21" (762mm x 533mm)   | Woodgrain | Model # 61-PH3015  |
| 32" x 21" (812mm x 533mm)   | White     | Model # 61-PH3201  |
| 32" x 21" (812mm x 533mm)   | Woodgrain | Model # 61-PH3215  |
| 34.5" x 21" (876mm x 533mm) | White     | Model # 61-PH34501 |
| 34.5" x 21" (876mm x 533mm) | Woodgrain | Model # 61-PH34515 |

*Model #60 - (for right hand)*

Shower Seats have been designed and tested to withstand 400lbs. (182kgs) of load when properly installed.\* This exceeds HUD, FHA, VA, ADA, ANSI and other federal, provincial, and local codes. \*Shower seats can only be as strong as what they are mounted to. It is imperative when installing any shower seat to consult with a qualified contractor to insure you have sufficient backing.



61= Left Hand (shown)  
60= Right Hand (opposite)