

# Adult Phenolic Folding Shower Seats

## Rectangle

Configuration:  
**62 Series**  
Phenolic

### Application Use:



### Specifications

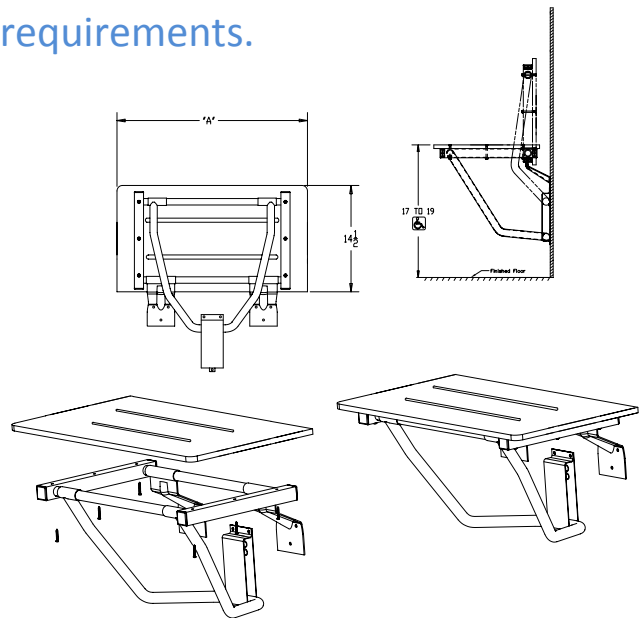
Folding shower seat manufactured from 1" (25mm) diameter, 18 gauge and 1.25" x 1.25" (32mm x 32mm), 16 gauge, type 304 stainless steel tubing with #4 satin finish. Wall mount brackets shall be 12 gauge type 304 stainless steel. Solid Phenolic seat shall be 1/2" (13mm) thick and shall be fire and mildew resistant. Shower Seat shall comply with all applicable federal, provincial and local building and safety codes.

White shown, Also available in Woodgrain



### Custom sizes are available to suit special requirements.

24" x 16" (609mm x 406mm)	White	Model # 62-PH2401
24" x 16" (609mm x 406mm)	Woodgrain	Model # 62-PH2415
26" x 16" (660mm x 406mm)	White	Model # 62-PH2601
26" x 16" (660mm x 406mm)	Woodgrain	Model # 62-PH2615
28" x 16" (711mm x 406mm)	White	Model # 62-PH2801
28" x 16" (711mm x 406mm)	Woodgrain	Model # 62-PH2815
30" x 16" (762mm x 406mm)	White	Model # 62-PH3001
30" x 16" (762mm x 406mm)	Woodgrain	Model # 62-PH3015
32" x 16" (812mm x 406mm)	White	Model # 62-PH3201
32" x 16" (812mm x 406mm)	Woodgrain	Model # 62-PH3215
34.5" x 16" (876mm x 406mm)	White	Model # 62-PH34501
34.5" x 16" (876mm x 406mm)	Woodgrain	Model # 62-PH34515



Shower Seats have been designed and tested to withstand 400lbs. (182kgs) of load when properly installed.\* This exceeds HUD, FHA, VA, ADA, ANSI and other federal, provincial, and local codes. \*Shower seats can only be as strong as what they are mounted to. It is imperative when installing any shower seat to consult with a qualified contractor to insure you have sufficient backing.