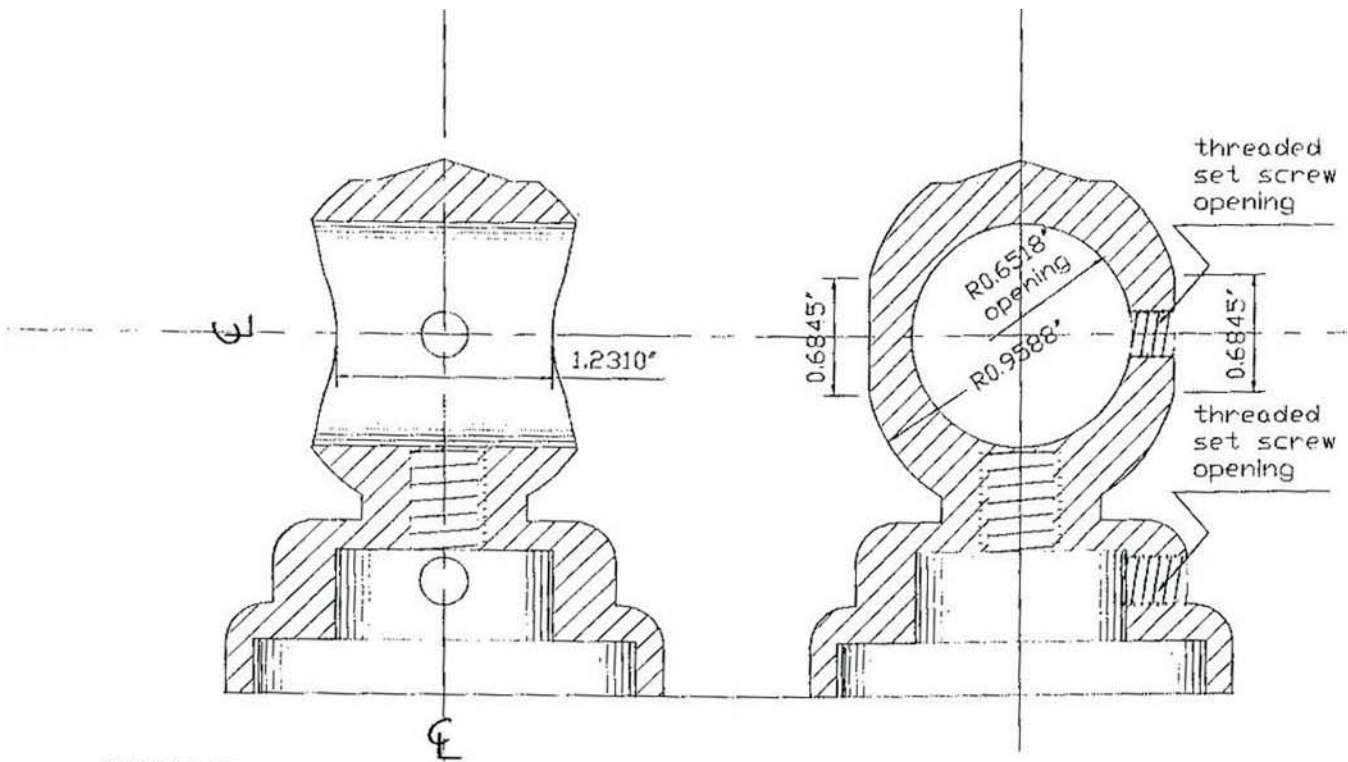




**Drawings & Materials for the  
Following:**

- ADA
- End Caps
- Res Fixtures

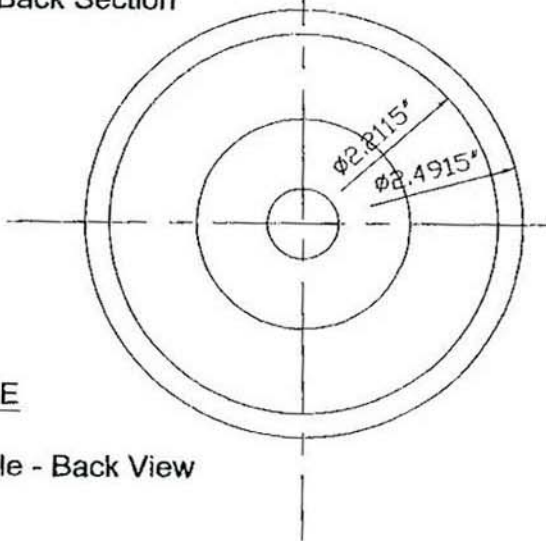


**FIXTURE**

Full Scale -  
Front to Back Section

**FIXTURE**

Full Scale - Side Section



**FIXTURE**

Full Scale - Back View

**SPECIFICATIONS:**

Material:

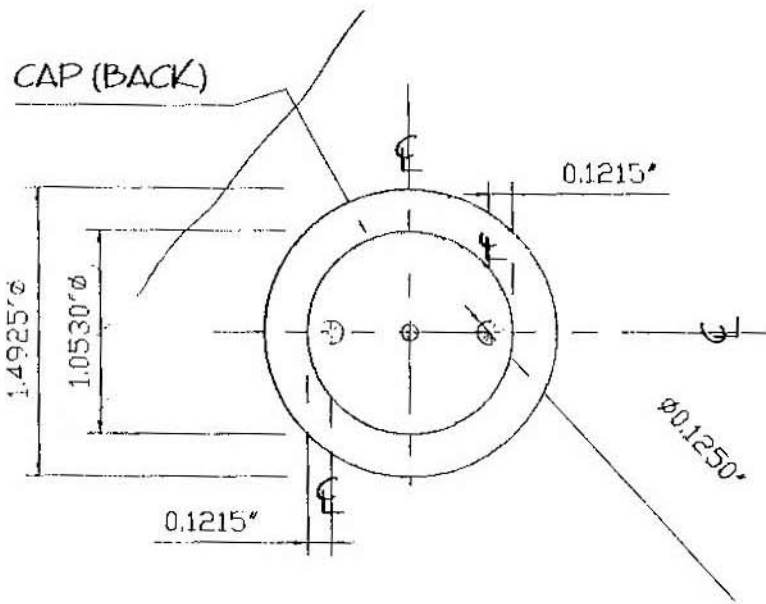
Machined one piece  
Extrusion Material

Size:

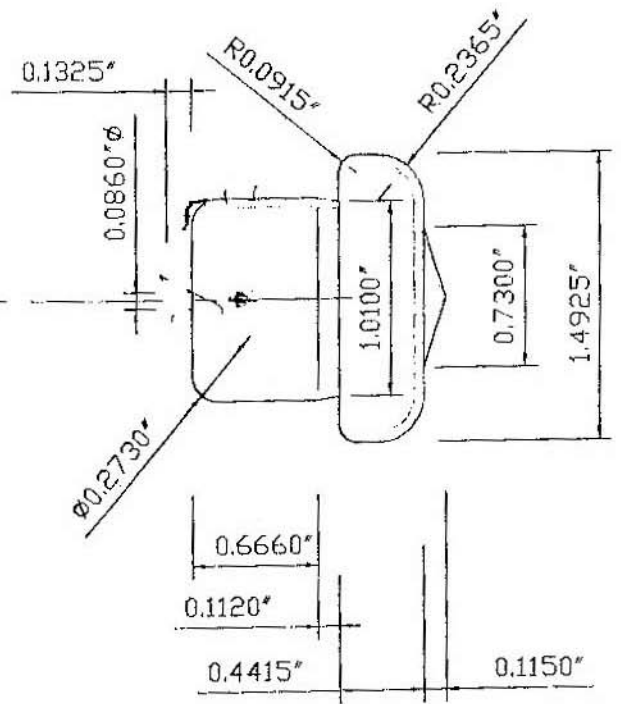
2 1/2" diameter  
X 4 1/4" length



**GREATGRABZ™**  
*safety with style*



END CAP - BACK VIEW  
Full Scale



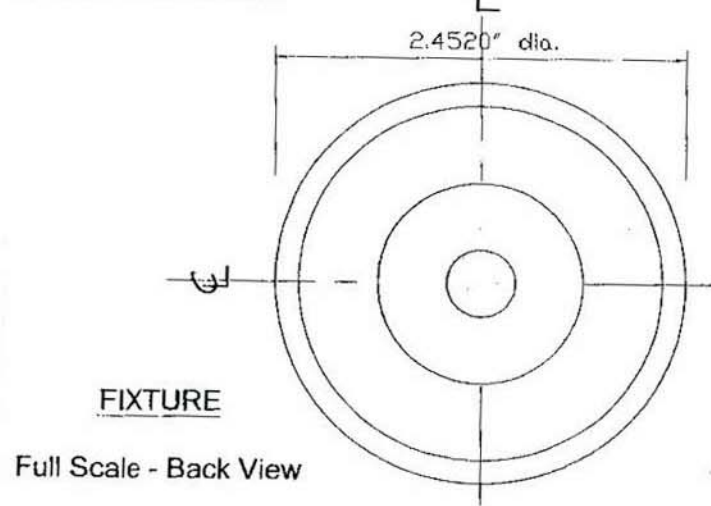
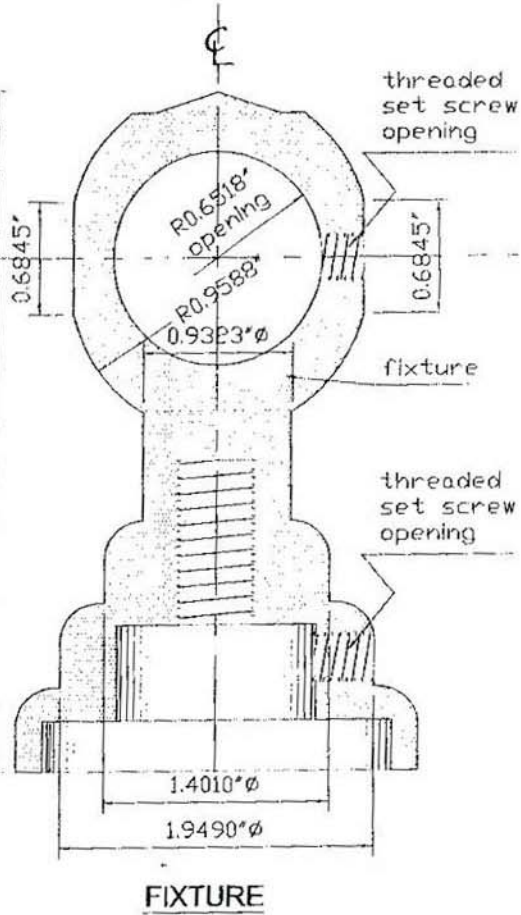
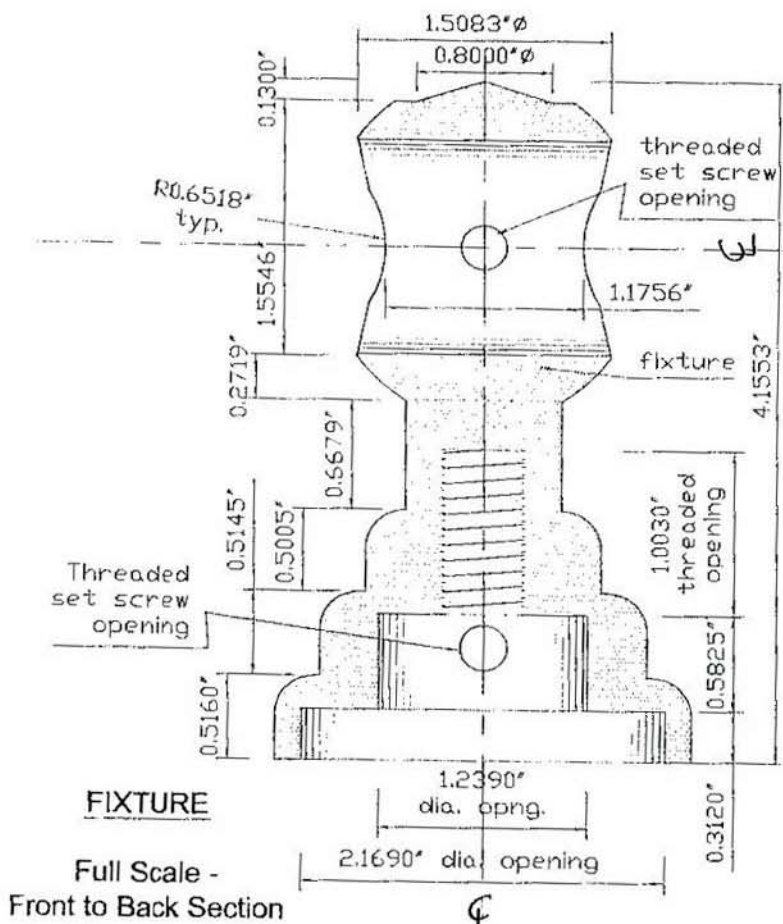
END CAP - SIDE VIEW  
Full Scale

**SPECIFICATIONS:**



**GREATGRABZ™**

*safety with style*



**SPECIFICATIONS:**

**Material:**

Machined one piece  
Extrusion Material

**Size:**  
2 1/2" diameter  
X 4 1/4" length

