



Murano / DLG-36

Shower Enclosure User's Guide

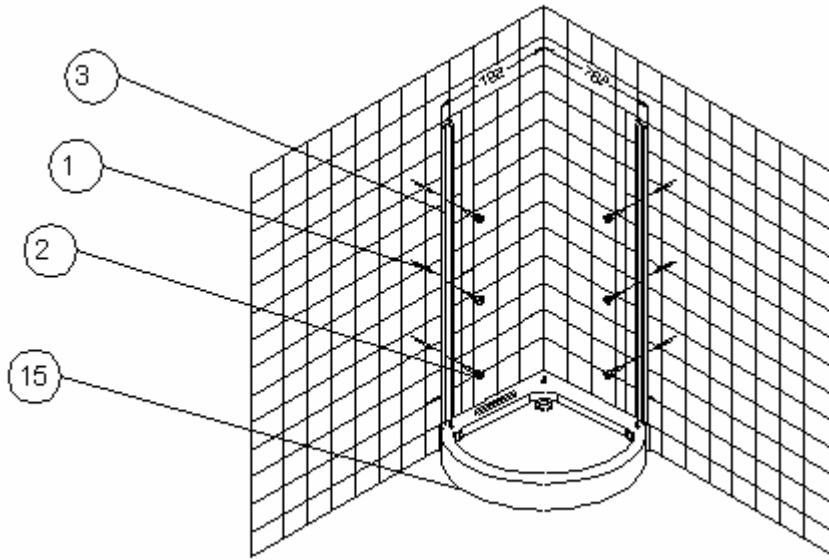


I. Mounting Preparation

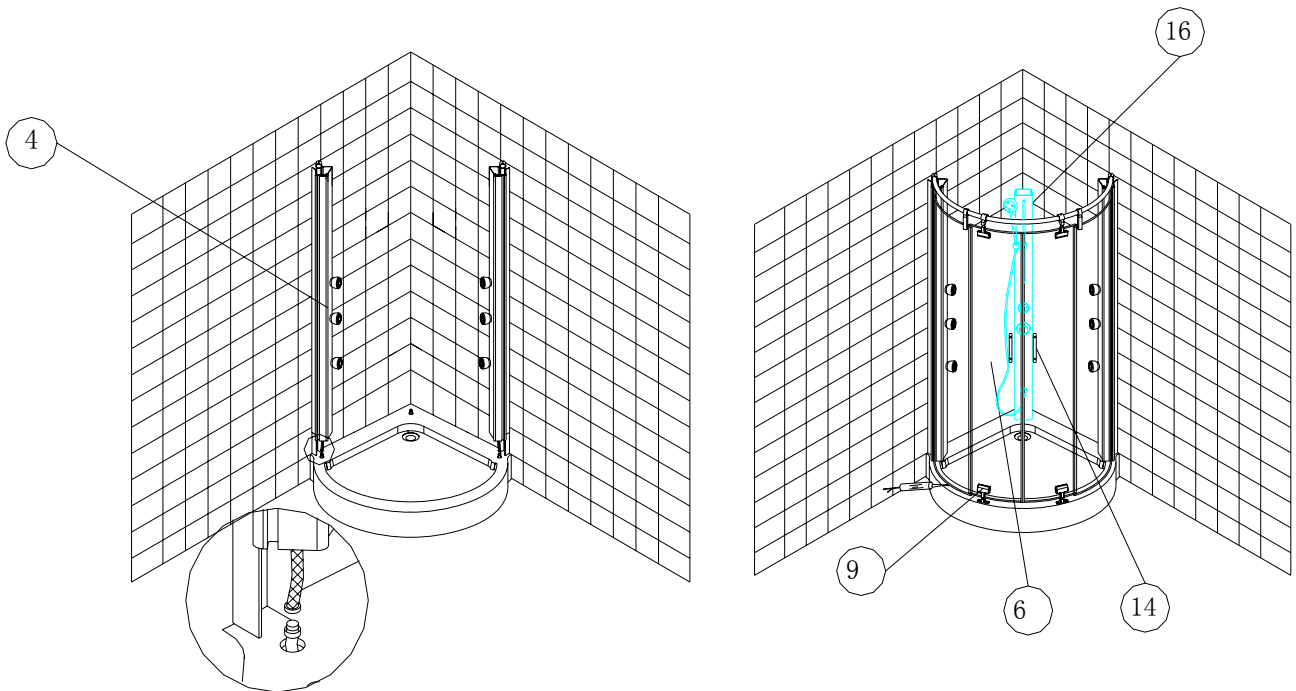
1. After opening the case, read this introduction carefully, check all the packed parts, examine the shower cabinet for shipping damage. If the unit has been damaged or has a finishing defect, please contact your local distributor within 2 business days. Please note that DreamLine Guarantee will not cover shipping damage or such finishing defects once the unit has been installed. Your distributor's responsibility for damage in transit is limited after the shower package has been transferred to the transportation company, so you may have to contact the transportation company directly to report damage. Contact your distributor or DreamLine if you have any questions.
2. You should make sure that the floor is leveled and solid and will be able to support the total weight of the unit and its occupant. You should also consult your local building codes on any questions on installation compliance with standards.
3. Install all of the required plumbing and drainage before securing the shower. Use a competent and licensed (if required by local code) plumber for all plumbing installation.
4. Please insure that prior to the installation the floor is leveled and the walls are at right angles. While some adjustment in leveling of the tray is possible, irregular floor level or improper angle of side walls will result in serious problems for your installation.
5. Necessary Tools: Conventional woodworking tools, Screwdriver, Silicone sealant, Electric drill, Regular drill bits (1/8", 7/64"), Phillips screwdriver, Level, Measuring tape, Pencil and Stepladder. Bear in mind that you will need at least two people to assemble the unit.

II. Packing List

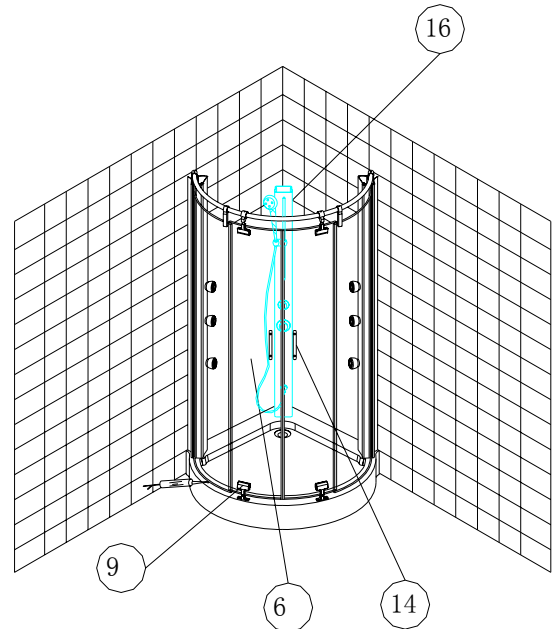
① Plastic Dowel	12pcs	⑨ Glass entry door pivots	4sets
② Tapping Screw ST4.2*30	20pcs	⑩ Rotation pedestal	2sets
③ Wall Connecting Profile	2pcs	⑪ Support bar door bracket	2sets
④ Doorframe, Panel Profile, Plastic Strip	2sets	⑫ Pipe covering	2sets
⑤ Side glass panel with plastic strip	2pcs	⑬ Connecting screw M4X15	4pc
⑥ Entry door glass with plastic strip	2pcs	⑭ Handle	2sets
⑦ Stainless steel top support bar	1pc	⑮ Tray	1pc
⑧ Glass clip	2sets	⑯ J11-1900 Massager	1set



Dia. 1



Dia. 2



Dia. 3

PARTS



III. Mounting Process:

1. Put the tray in the designated position and level it using water level. (Step1)
NOTE: *If the tray is not correctly leveled doors may not operate as required.*
2. Apply caulking silicone to borders of the tray and then to the edges to protect the unit from leaking. Make sure all the seals are filled up. Push the tray all the way down into the corner and remove the excess caulking using a soft cloth. Allow the caulk to dry before proceeding the shower enclosure assembly. (Step2)
3. Put apart the middle column assembly with the showerhead. (Step3, Step4)
4. Fasten the back part of the middle column assembly to the wall using 4 self-tapping screws #3 and dowels #7. (Step6)
5. Tighten up the water pipe connector using the part #8 (Step7), plug the water hose into the water pipe connector and tighten it up using part #9. (Step8)
6. Plug the hot and cold water hoses to the water supply. (Step9)
7. Place the front part of the middle column back and fasten the assembly with the 4 original bolts #5. (Step10)
8. Locate the wall connecting profiles, level them and mark the holes on the wall according to the holes on the wall profiles. (Step11)
9. After drilling, insert plastic dowels (part #7) and apply caulking silicone to the back part of the profile and then fasten the wall connecting profiles to the wall using (quantity) screws. (Step12)
10. To connect the water pipes from the side jet columns repeat Steps 7 and 8. Place the front cover parts (Step13) and screw them tight. Keep in mind that you should not push the front parts of the columns by the jets to prevent them from damaging. Make sure the jet columns are leveled (Step14).
11. Attach waterproof plastic strips to the side glass panels (Step15) and insert them into the side jetted columns (Step16).
12. When the side glass panels are in the place (Step17), insert the metal brackets into the support bar in a following order: see Step18.
13. Then insert the support bar into the slots of the side jet columns and fasten it (Step20).
14. Secure the side glass panel to the metal bracket using the parts #1, 2, 4, 10 and 11. (Step21)
15. Secure the bottom glass door pivot brackets to the entry door using the same parts #1, 2, 4, 10 and 11. The bottom of the entry door is determined by the position of the holes for the brackets (Step22). Insert the bottom pivots into the slots, then insert the top pivots into the slots and then secure the bracket to the entry door making sure you place the plastic gaskets in between the glass and metal nuts (Step23).
16. Secure the brackets to the support bar to prevent them from sliding back and forth using part #6 (Step24).
17. Attach handles, making sure there are plastic gaskets in between the glass (Step 25).
18. Attach the bottom waterproof plastic strip to the bottom of the doors (Step 26).

IV. Sealing:

Apply clear silicone water sealant around the outside perimeter of any fixed shower components (horizontally between bottom of any fixed side glass panels and tray, as well as vertically between the wall, wall profiles and any side glass panels). Do not apply silicone on the inside of the shower – this will cause your shower unit to leak.

NOTE: Allow 24 hours for the silicone to set before testing or using the shower.

NOTE: Improper application of silicone sealant may cause your shower to leak.



Step 1



Step 2



Step 3



Step 4



Step 5



Step 6



Step 7



Step 8



Step 9



Step 10



Step 11



Step 12



Step 13



Step 14



Step 15



Step 16



Step 17



Step 18



Step 19



Step 20



Step 21



Step 22



Step 23



Step 24



Step 25



Step 26

DreamLine

Shower Enclosure, Jetted Shower and Shower Columns

Limited Warranty

CONSUMER RESPONSIBILITIES

Your DreamLine Shower Products will remain beautiful for many years if you take care of them. Some of the waterproofing plastic strips and other seals will need to be replaced when they show signs of wear, yellowing, or are not watertight. Refer to the parts list of your manual for all seals. Water conditions in various parts of the country will determine any extra cleaning attention you may have to give your new shower enclosure or jetted shower. DreamLine does not recommend the use of harsh abrasive cleansers on any of its products. Harsh cleansers will damage the metal or glass finish on your shower enclosure or jetted shower.

REQUESTING SERVICE

Here's what you need to do if you require service:

1. Contact the dealer or contractor who sold and installed the product. They should be able to solve any problems you may have.
2. If your dealer or contractor cannot solve the problem, they will contact or supply you with the name of the local DreamLine Distributor or a DreamLine Direct Technical Specialist
3. If you are unable to obtain warranty service through either your contractor or DreamLine distributor, please write us directly at

DreamLine
2840 Pine Road, Bld D
Huntingdon Valley, PA 19006
ATTN: Customer Service Department,

4. Include all pertinent information regarding your claim, including a complete description of the product, model numbers, colors, finishes, and the date the product was installed. Include a description of the problem, and a photocopy of your invoice and purchase receipt(s) for the products involved. Also please provide information the name and contact telephone numbers of the contractor and distributor.

Please note that under any circumstances, DreamLine products should not be returned to your dealer, distributor or directly to DreamLine without a written Return Merchandise Authorization (RMA).

LIMITED ONE-YEAR WARRANTY

This warrantee extends only to the original owner/end-user for personal household use only. For commercial uses, additional limitations may apply.

DreamLine warrants acrylic surface against blistering or cracking and chipping resulting from defect in the acrylic surface material when used under normal condition and service for a period of one (1) year from the purchase date.

DreamLine warrants mirrors, shower doors, shower massage systems, faucet finishes and fittings to be free from defects in workmanship and materials under normal use and service for a period of one (1) year.

DreamLine further warrants the structure of the acrylic shell against loss of water through the fiberglass laminate of the acrylic body as a result of defect in materials and workmanship for a period of five (5) years from the purchase date.

DreamLine will, at its election, repair, replace, or make appropriate adjustment where DreamLine optional inspection discloses any such defects occurring in normal usage within the warrantee periods. **Please note that DreamLine is not responsible for installation or removal costs.**

Improper modification of any enclosure, jetted shower or shower column components may void the warranty - so please install the product as directed in the manual. This warranty does not cover any claim arising from abuse, misuse, negligence, accident, improper installation or operations on the part of the purchaser. This warranty is void if the DreamLine product is subject to alterations, or if repairs are attempted by anyone other than an authorized agent of DreamLine. This warranty does not extend to any plumbing or components installed by dealers, installers or by any party other than DreamLine.

Implied warranties, including that of merchantability or fitness for a particular purpose, are expressly limited in duration to the duration of this warranty. DreamLine disclaims any liability for special, incidental, or consequential damages.

Some states do not allow limitations on how long an implied warranty lasts or the exclusion or limitation of special, incidental, or consequential damages, so these limitations and exclusions may not apply to you. This warranty gives you specific legal rights. You may also have other rights which vary from state to state. This limited warranty provides specific legal rights as they apply within the USA, and other rights may be available, but may vary from country to country.

This is our exclusive written warranty for DreamLine Enclosure, Jetted Shower and shower Column Purchases made after May 2004. DreamLine reserves the right to modify this warranty at any time, and the consumer understands that such modification will not alter the warranty conditions applicable at the time of the sale of the product.