



Spaloo LLC  
2421 West Pratt #411  
Chicago, IL 60645  
1-888-772-5662  
[www.spaloo.com](http://www.spaloo.com)  
[info@spaloo.com](mailto:info@spaloo.com)



## USER GUIDE

# Primus



Preparation

Installation

Operation

Maintenance  
& Cleaning



This user guide contains the product warranty certificate.

Be sure to read this user guide carefully before use.

■ 120V 60Hz   

# CONTENTS

1. Safety Instructions	4
2. Product Characteristics	8
3. Designation of Each Component	9
4. Installation	11
5. Trial Operation	15
6. Disassembly of Product	16
7. How to Use the Product	18
8. User Settings	22
9. Maintenance & Cleaning	24
10. Before requesting repair	26
11. Product Specifications	27
12. Comparison Chart	28
13. Warranty Information	29

Preparation

Installation

Operation

Maintenance & Cleaning

**THIS UNIT WAS MANUFACTURED FOR HOUSEHOLD USE ONLY.  
READ ALL OPERATING INSTRUCTIONS BEFORE INSTALLATION.**

## Notes

1. This product should be installed according to this manual.
2. Please read this manual carefully and install properly.
3. Please save this manual and place it at an easily accessible place.
4. Do not attempt to service this appliance yourself. Doing so could void warranty.

# 01. Safety Instruction

## IMPORTANT SAFEGUARDS

When using electrical products, especially when children are present, basic safety precautions should always be followed, including the following:

**READ ALL INSTRUCTIONS BEFORE USING**

## INSTALLATION

- In the case 120V 60Hz : Power supply must be a
- 15Amp GFCI outlet.
- The electrical cord must be at least 4ft. long.
- The electrical cord must be connected to a GFCI outlet.
- The GFCI outlet should be 1 ft. above the floor.
- Install only in well-ventilated areas to avoid excess humidity.
- Do not install in narrow toilet stalls or in shower stalls. Install only where direct contact with water is minimized.
- Do not install neat any heat source.
- Avoid using extension cords if possible. Consult with a certified electrician where extension cords are necessary.

## DANGER - To reduce the risk of electrocution:

- ① Do not use while bathing.
- ② Do not place or store product where it can fall or be pulled into a tub or sink.
- ③ Do not place in or drop into water or other liquid. Do not reach for a product that has fallen into water. Unplug immediately.

**WARNING** - To reduce the risk of burns, electrocution, fire, or injury to persons.

- ① Close supervision is necessary when this product is used by, on, or near children or invalids.
- ② Use this product only for its intended use as described in this manual.  
Do not use attachments not recommended by the manufacturer.
- ③ Never operate this product if it has a damaged cord or plug, if it is not working properly, if it has been dropped or damaged, or dropped into water.  
Return the product to a service center for examination and repair.
- ④ Keep the cord away from heated surfaces.
- ⑤ Never use while sleeping or drowsy.
- ⑥ Never drop or insert any object into any opening or hose.
- ⑦ Do not use outdoors or operate where aerosol (spray) products are being used or where oxygen is being administered.
- ⑧ Connect this product to a properly grounded outlet only. See Grounding Instructions.
- ⑨ Unplug this product before filling. Fill (reservoir) with water only unless otherwise specified by manufacturer. Do not overfill (or specify filling instructions).

**SAVE THESE INSTRUCTIONS**

# 01. Safety Instruction

## GROUNDING INSTRUCTIONS

This product should be grounded. In the event of an electrical short circuit, grounding reduces the risk of electric shock by providing an escape wire for the electric current.

This product is equipped with a cord having a grounding wire with a grounding plug. The plug must be plugged into an outlet that is properly installed and grounded.

**DANGER** - Improper use of the grounding plug can result in a risk of electric shock.

If repair or replacement of the cord or plug is necessary, do not connect the grounding wire to either flat blade terminal. The wire with insulation having an outer surface that is green with or without yellow stripes is the grounding wire. Check with a qualified electrician or serviceman if the grounding instructions are not completely understood, or if in doubt as to whether the product is properly grounded.

For a grounded, cord connected product rated 15 A or less and intended for use on a nominal 120 V supply circuit. This product is for use on a nominal 120 V circuit, and has a grounding plug that looks like the plug illustrated in sketch A in Figure 1 temporary adapter, which looks like the adapter illustrated in sketches B and C, may be used to connect this plug to a 2-pole receptacle as shown in sketch B if a properly grounded outlet is not available.

The temporary adapter should be used only until a properly grounded outlet (sketch A) can be installed by a qualified electrician.

The green colored rigid ear, lug, and the like extending from the adapter must be connected to a permanent ground such as a properly grounded outlet box cover. Whenever the adapter is used, it must be held in place by the screw.

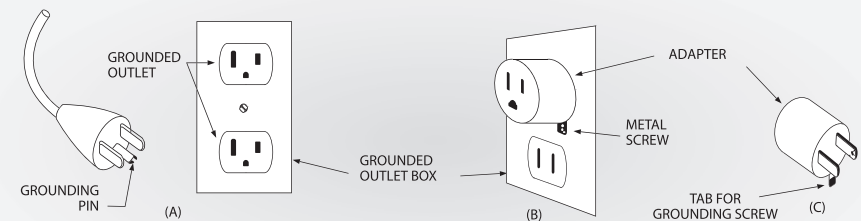


Figure 1.

## 02. Product Characteristics

### ● Continuous Warm Water Supply

Enjoy continuous warm water throughout the wash cycle.



### ● Power wash

Soft but powerful water wash for added cleansing benefit.



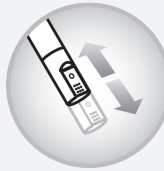
### ● Bubble Wash

Aerated water wash adds cleaning comfort.



### ● Massage

Nozzle moves back and forth for massage effect.



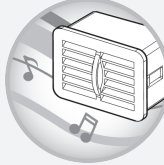
### ● Pulse

Pulsating wash repeatedly cycles from weak to strong.



### ● Deodorization Function

Semi-fundamental deodorizing filter provides odor-free during use.



### ● Energy Saving Function

It finds out the time frame when used frequently, realizing the maximum energy saving effect.



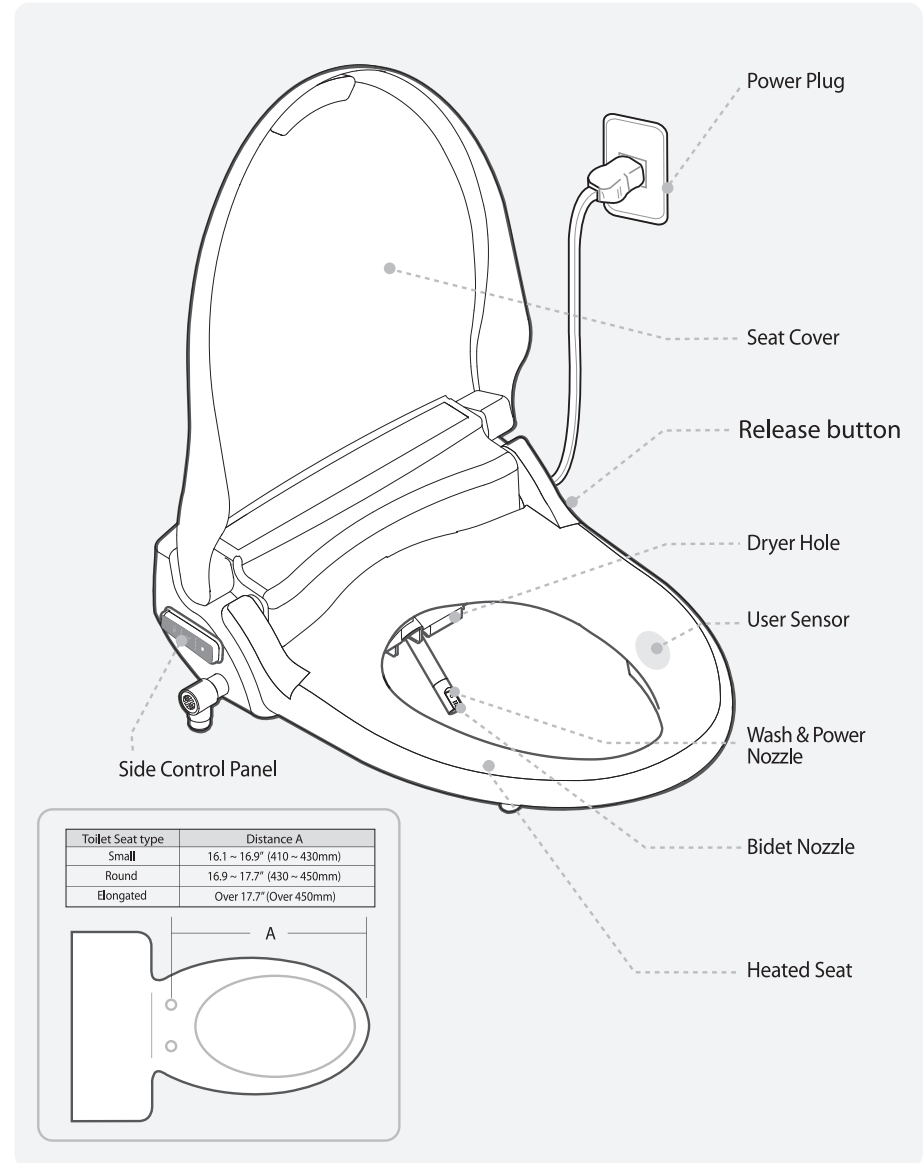
### ● Remote Control Unit

Convenient remote controller provides easy user interface.



## 03. Designation of Each Component

### Main Body



# 03. Designation of Each Component

## Operation Panel

<p><b>MASSAGE</b> To run the Massage (oscillating) function. Nozzle is moving forward and backward repeatedly. Press it again to stop the function.</p>	<p><b>POWER WASH</b> To run the Power wash function(2 minutes)</p>	<p><b>BIDET</b> To run the bidet function (2 minutes)</p>	<p><b>WASH</b> To run the wash function (2 minutes)</p>	<p><b>DRY</b> To run the dry function (3 minutes)</p>
<p><b>PULSE</b> To run the Pulse function Water pressure is rhythmically changed from strong to weak.</p>				<p><b>STOP</b> To stop all functions.</p>
<p><b>CHILD</b> Massage width will be controlled by Child button.</p>				<p><b>SEAT TEMP</b> To adjust the seat temp. by 4 steps (Room temp/ 34°C/38°C/42°C)</p>
<p><b>POWER CONTROL</b> To control the nozzle position</p>	<p><b>ENERGY SAVING</b> Automatic mode Learning energy saving mode Releasing energy saving mode</p>	<p><b>WATER TEMP</b> To adjust the water temp. by 4 steps (Room temp/ 34°C/36°C/38°C)</p>	<p><b>POWER CONTROL</b> Water pressure and dry temp can be adjusted by pressing HI/LO.</p>	

## Accessories

Bolts	Nuts	Rubber pads	Bracket holders	Bracket	Deodorizing cartridge
T-valve	Remote control	Remote control holder	AAA size batteries (2pcs)	Water feed hose (for toilet)	Water feed hose(for bidet)
			Spare nut 3/8"	Washer	Filter
			* Optional		

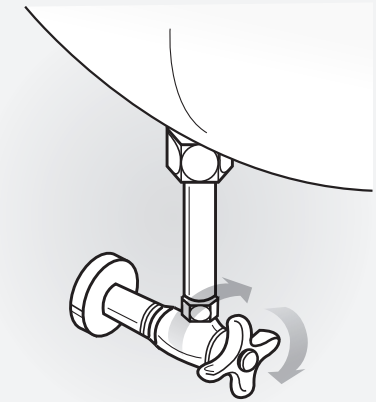
# 04. Installation

## Order of Installation

- 1 Remove the seat from the existing toilet body.
  - ▶ Release the nuts, and then remove the seat and cover from it.
  - ▶ Keep the removed seat, cover and nuts well in a proper place.



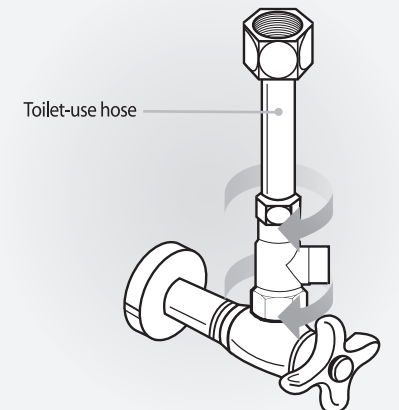
- 2 Close the water feed valve by turning it clockwise, and then drain the toilet water tank out.



- 3 Remove the water feed pipe and then install T-valve.
  - ▶ Keep the removed water feed pipe well in a proper place. It may be useful when moving house to other place later.

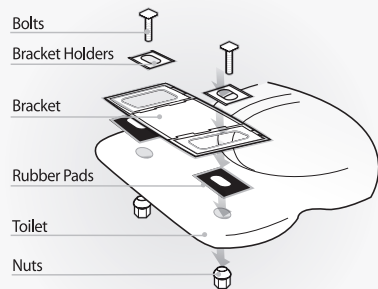


- 4 Connect the toilet-use hose.



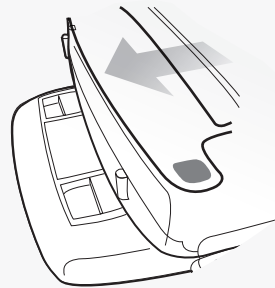
# 04. Installation

5 Fix the bracket onto the toilet first.



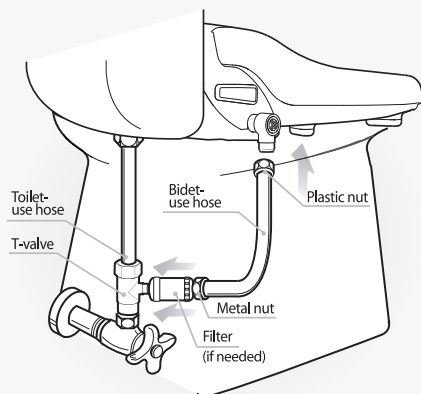
▶ Adjust the seat and the front part of toilet back and forth so that they can correspond with before fastening the nuts.

6 Push the main body toward the bracket completely.

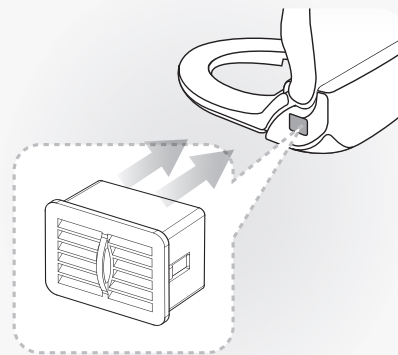


▶ Push it in until it sounds 'click'.  
▶ When the product is not installed well, it may cause leakage.

7 After install the filter onto the T-valve, connect the bidet-use hose to the bidet body.

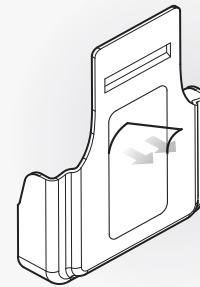


8 Insert the deodorizing cartridge into the bidet body.

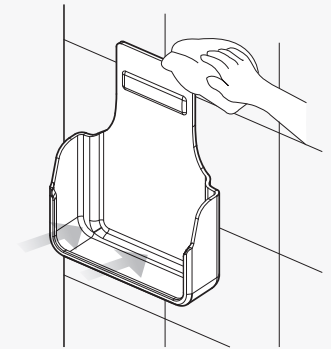


## Remote control installation & batteries insertion

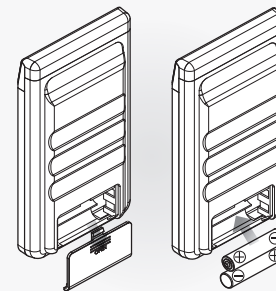
1 Remove the adhesive protection to attach the remote control bracket.



2 Clean the place thoroughly to attach the bracket.

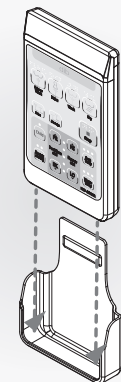


3 Remove the back cover and place supplied batteries with correct direction. Close the back cover.



※ **Caution**  
Failure to install the batteries properly could cause damage or failure of the remote control unit.

4 Place the remote control in the bracket with correct direction. When placing it, take care to hang it on the bracket completely. Failure of placing could cause the remote control falling down.



# 04. Installation

- 5 When the batteries have reached the end of service life, remote control does not work and all LEDs will blink. Replace the batteries with new ones, AAA size X 2pcs.

※ **Caution**

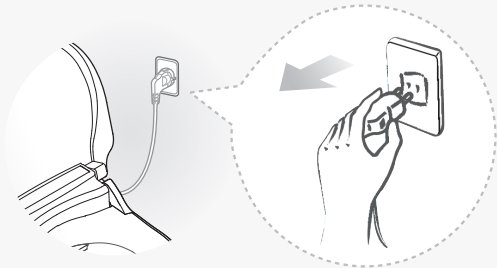
Do not use old and new batteries together.  
This could cause damage or failure of the remote control.



- 6 If the unit does not work after replacing the batteries, unplug and wait for 3 seconds. Plug in again, and the unit will be ready for use.

※ After replacing the batteries, ID of the unit will be initialized as "01" (factory initialization ID), and its ID will be equalized ID of the remote control that reaches the unit first. This ID assigning function will be needed to prevent signal interruption if more than 2 units are used at one place. In case of using one unit only, user can use the unit accordingly without setting.

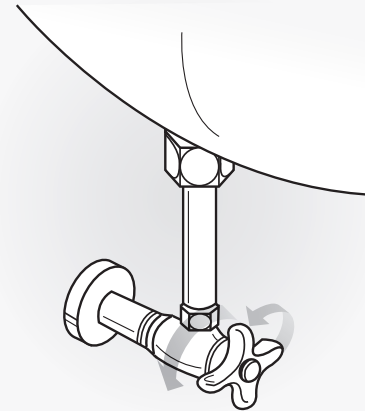
※ If you want to change the ID, please refer to the page 22. for "Remote Control ID Setting"



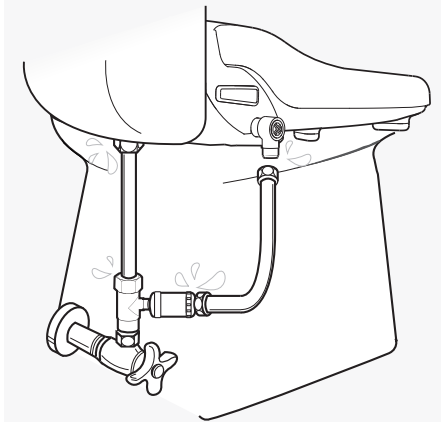
# 05. Trial Operation

## Order of Trial Operation

- 1 Open the water feed valve by turning it anti-clockwise.

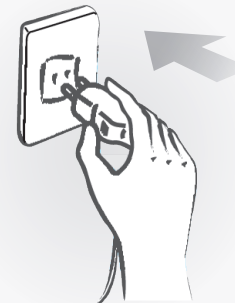


- 2 Be sure of no leakage around the hose connection.

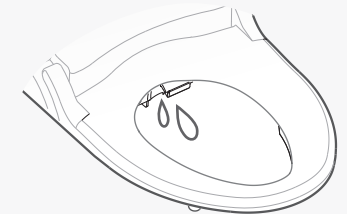


- 3 Be sure that logo light on the top turns on and nozzle comes and retracts when powered on.

▶ Don't plug the power cord with wet hands.  
Risk of electric shock.



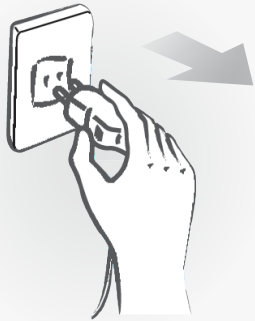
- 4 When the unit is powered on, water tank will be filled immediately. Check if water comes out from drain hole for 1~2 seconds.



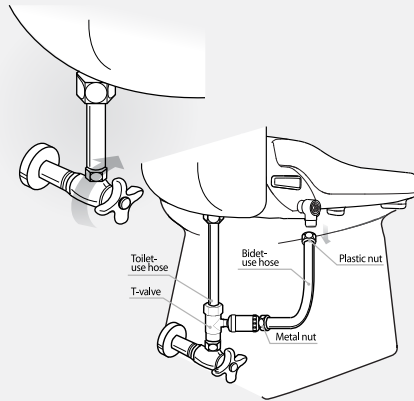
# 06. Disassembly of Product

## Order of Disassembly

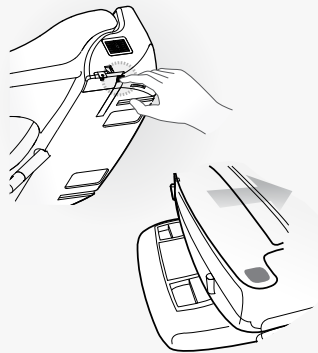
- 1 Remove the power plug from the outlet.



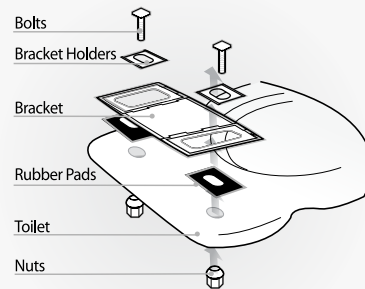
- 2 Close the water feed valve by turning it clockwise, completely drain out the toilet water tank, release the nuts at bidet body of the bidet hose, and then remove them from main body.



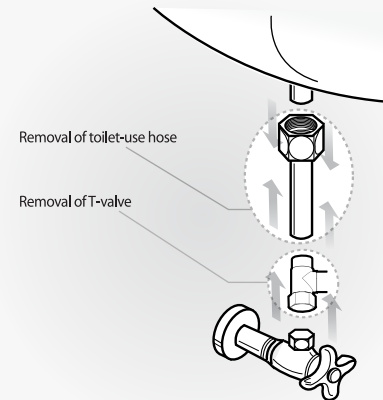
- 3 Press the release button on the side of bidet, completely drain the water out of the of the main body. While keep on pressing the button, pull the main body forward, and then remove it from the toilet.



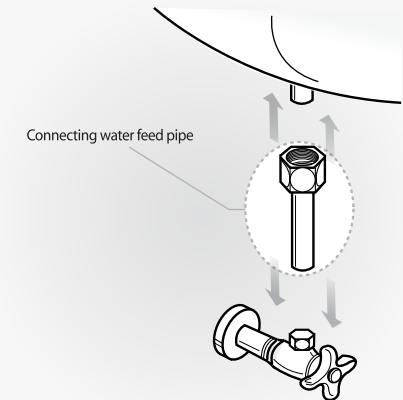
- 4 Release the nuts, and then remove the brackets from the toilet.



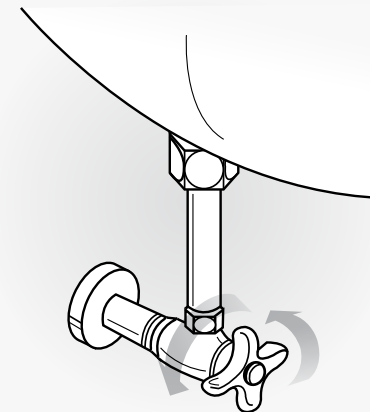
- 5 Remove bidet hose, toilet-use hose and T-valve.



- 6 Connect the water feed pipe that was removed when the bidet was installed.



- 7 Open the water feed valve by turning it anti-clockwise. Be sure of no leakage around the water feed connection.



- 8 Attach to the toilet the seat and cover that were removed when the bidet was installed.

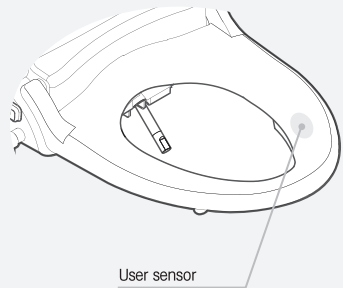


# 07. How to Use the Product

## Basic Operation Method

### 1 Sit on the toilet seat.

- ▶ Be sure to sit on the user sensor of seat. If the sensor is not occupied, functions will not work. Deodorizing function starts automatically.



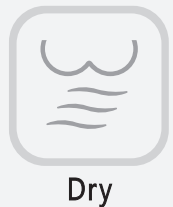
### 2 Press WASH, BIDET, POWER WASH buttons.

- ▶ Selected function can be used as desired.
- ▶ After Wash/Bidet/Power Wash, automatically dryer works. (Automatic dry)
- ▶ For sitz bath, press WASH again. Sitz bath works for 5 minutes at set temperature.



### 3 Press the DRY Button.

- ▶ Hot air indicator lamp will lights on. (5 levels available)
- ▶ Selected function may be used for three (3) minutes.
- ▶ Drying effect will be improved if you wipe the moisture lightly before operating the drying function.



### 4 Press the STOP Button.

- ▶ Selected functions stop.
- ▶ Press "STOP" on the side control panel for 3 seconds to turn off the unit.



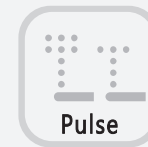
### 5 MASSAGE Wash

- ▶ When Pressing the MASSAGE button, nozzle location will be changed back and forth to wash the wider range.
- ▶ When pressing the CHILD button during the operation of MASSAGE, the moving distance can be adjusted within 5 steps.



### 6 PULSE Wash

- ▶ When the pressing PULSE button during the operation of WASH, BIDET and POWER WASH, water pressure will repeat HIGH/LOW level for smooth pulsating wash.



### 7 Water Pressure Control

- ▶ Pressing HIGH/LOW button enables the control of water pressure.
- ▶ When any foreign material blocks the water pipe filter, it may cause the low water pressure. Regularly check it for its stable use.



### 8 Nozzle Position Control

- ▶ Nozzle position can be controlled by pressing FR/BK.



Consult your doctor before using Power Wash function in situations of anal disease/surgery.

# 07. How to Use the Product

## Basic Operation Method

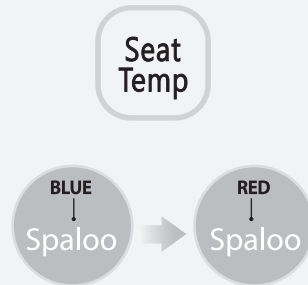
### 9 CHILD Function

- ▶ For child use, press the CHILD button first (Child lamp will light on), nozzle position, water pressure and seat temp. will be adjusted.
- ▶ Nozzle moves forward more than adult wash.
- ▶ Water pressure is weaker than adult wash.
- ▶ Seat temp. drops down by 4°C from set level.



### 10 Seat Temperature Control

- ▶ When pressing the SEAT TEMP. CONTROL button, the temperature of seat can be controlled within the range of room temperature, 34°C/38°C/42°C
- ▶ If the seat temperature reaches 34°C or more, the seat temperature indicator turns in RED. If not (under 33°C), it remains in BLUE.



### 11 WATER TEMP CONTROL

- ▶ When pressing the WATER TEMP. CONTROL button, the temperature of water can be controlled within the range of room temperature, 34°C/36°C/38°C



### 12 ENERGY SAVING Function

- ▶ Automatic Energy Saving Function
    - # When pressing the button once, it enters into automatic energy saving mode
    - # Seat temperature will be kept at 32°C.
    - # When sitting on the seat to use bidet, it turns to the pre-designated temperature; When getting out of the seat, it returns to the automatic energy saving mode.
  - ▶ Learn Energy Saving Function
    - # When pressing the button twice, it enters into the learn energy saving mode.
    - # Learn energy saving enables MICOM to detect the time frame used by the users. It releases the energy saving function at the higher-frequency time frame to set the temperature of seat at the pre-designated level, while setting it at 32°C when the using frequency is lower, enabling the excellent energy saving effect.
    - # When using it at the lower frequency time frame, the preset temperature will increase during the time the user sits on the seat.
  - ▶ When pressing the button three times, the energy saving mode will be released.
- \* This product adopts the rapid water-heating method, and therefore doesn't consume the unnecessary power to operate the heater for the purpose of keep the water temperature. It means its power consumption is far less than the electronic bidet seats of other suppliers.

### 13 Deodorizing function

- ▶ When sitting on the seat, the deodorizing function starts automatically.
- ▶ Speed of deodorizing fan can be controlled. (refer to the User setting facilities, P.22)
- ▶ After the usage of bidet, the deodorizing function will operate for one (1) minute.

### 14 Nozzle Cleaning

- ▶ While not sitting on the seat, and pressing the WASH button on the side control panel for 3 seconds, the nozzle will move forward at its maximum distance so that the user can clean it easily. (it will return after 2 minutes)
- ▶ When pressing STOP button, the nozzle will return and operate self-cleaning operation.





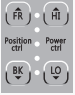
## User Instructions

- 1 Instructions and caution statements for cleaning, user maintenance, operations recommended by the manufacturer, such as lubrication or nonlubrication, and a warning to the user that any other servicing should be performed by an authorized service representative or that the product has no user serviceable parts. The manual or other literature packaged with the product shall also indicate the product is for household use.
- 2 Specific instructions for the proper method of cord storage, total product storage, and the like when the product is not in use; and for cord care while in use, such as for hand supported products, untwisting, and the like.

# 08 .User Settings

## 8-1. User setting with the remote control

● : Seat Switch 'Off' Status   ○ : Seat Switch 'On' Status   ◐ : Regardless of On/Off

No	Function	Seat Status	Switch Operation	Description	Initial Status																									
1	Selecting the speed of deodorizing fan	◐	 While pressing the "STOP", press "ENERGY SAVING" for longer than 3 sec.	<table border="1"> <thead> <tr> <th colspan="3">Water Temp (LED)</th> <th colspan="2">Speed of Deodorizing Fan</th> </tr> <tr> <th>●</th> <th>◐</th> <th>◑</th> <th>Seated</th> <th>Unseated</th> </tr> </thead> <tbody> <tr> <td>OFF</td> <td>OFF</td> <td>ON</td> <td>OFF</td> <td>OFF</td> </tr> <tr> <td>OFF</td> <td>ON</td> <td>ON</td> <td>Low speed</td> <td>Low speed</td> </tr> <tr> <td>ON</td> <td>ON</td> <td>ON</td> <td>High speed</td> <td>High speed</td> </tr> </tbody> </table>	Water Temp (LED)			Speed of Deodorizing Fan		●	◐	◑	Seated	Unseated	OFF	OFF	ON	OFF	OFF	OFF	ON	ON	Low speed	Low speed	ON	ON	ON	High speed	High speed	High speed in occupied mode. High speed in unoccupied mode.
Water Temp (LED)			Speed of Deodorizing Fan																											
●	◐	◑	Seated	Unseated																										
OFF	OFF	ON	OFF	OFF																										
OFF	ON	ON	Low speed	Low speed																										
ON	ON	ON	High speed	High speed																										
2	Remote control ID setting	◐	 Press "MESSAGE" for longer than 5 sec. + : - Change the ID by pressing "+" or "-", and press "STOP" to set the ID	 ID can be chosen from 1 ~ 5. Number of blinking LED means ID number. If main unit is powered off and on again, ID of main unit will be reset as 1. Before use, synchronize the IDs of main unit and remote control. Default ID is 1.																										
	Remote control ID change	◐	If batteries of remote control changed, set the ID again as it is shown above.	If batteries changed or ID changed (not 1), plug out the main unit for longer than 3 sec and plug in again. Main unit ID will be synchronized with ID of remote control automatically.																										

## 8-2. Extra functions with side control panel

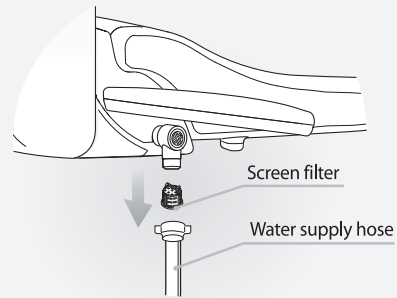
● : Seat Switch 'Off' Status   ○ : Seat Switch 'On' Status   ◐ : Regardless of On/Off

No	Function	Seat Status	Switch Operation	Description
1	Nozzle cleaning	●	Press "WASH" for longer than 3 sec.	Nozzle will move forward for cleaning.
			Press "STOP"	Nozzle will retract and clean itself.
2	Power off	●	Press "STOP" for 3 sec.	Press one of "STOP", "WASH", or "BIDET" to power on.
3	Initialization	●	Press "STOP" for longer than 5 sec.	All setting will be initialized.

# 09. Maintenance & Cleaning

## Cleaning of Water pipe filter

- 1 Close the water feed valve by turning it clockwise.
- 2 Disconnect the water supply hose. Take the screen filter out and clean it with soft brush. (e.g. toothbrush)
- 3 After cleaning, place it back. Then connect the water supply hose.
- 4 Open the water feed valve by turning it anti-clockwise.



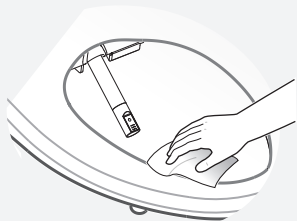
## Cleaning of Nozzle

- 1 Press the WASH button on the side control panel for 3 seconds, and then the nozzle will move forward and stop. (for 2 minutes)
- 2 Clean the nozzle with a unused toothbrush, etc., and press the STOP button, then it will return to the original place for self cleaning.



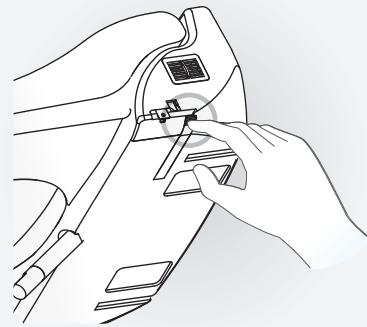
## Cleaning of Bidet Body

- 1 Exterior surface of bidet is made of plastic material, which may be damaged by scrubber, chemicals, etc.
- 2 Wipe the surface with a soft cloth wet and squeezed completely. Don't spray water directly onto the surface with the bath-use shower device.
- 3 Clean the body after removing the power plug from the outlet. Be sure no water splash to the power plug or outlet.
- 4 Don't touch the power outlet with wet hand. Risk of electric shock.



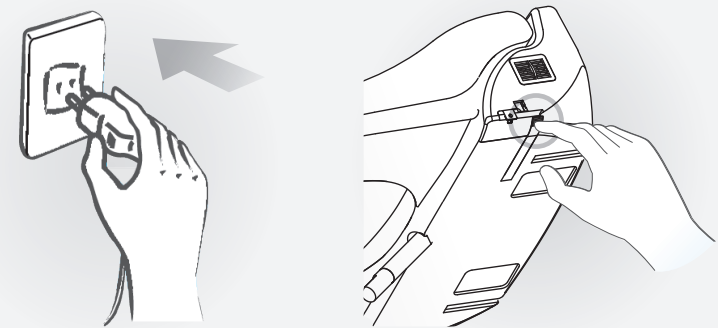
## Drainage of Hot Water Tank

- 1 Remove the power plug from the outlet.
- 2 Close the water feed valve by turning it clockwise
- 3 Press the release button on the side of main body.



## Maintenance during winter season

- 1 Insert the power plug into the outlet and be sure if the power is supplied.
- 2 When it is not used for a long time, drain the water from the water tank

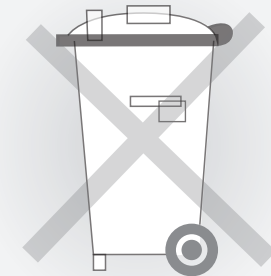


## Do not throw away

We are committed to protect the environment.

Please help us by disposing of this product in a responsible way when it reaches the end of its service life, to prevent certain substances contained in electric and electronic products from harming public health or the environment. The symbol means that the products may not be thrown away with other household waste: at the end of its service life, it may be taken at no charge to you to the waste-collection centers provided for the purpose by the authorities in your country.

It may be taken to the distributor from whom you purchase a new product that is equivalent to or that performs the same functions as this product. This later option may not be available in some countries.



# 10. Before requesting repair

※ Please check the following points before requesting the repair of the product.

Signs to occur	Matters to be checked
Completely out of operation	<ul style="list-style-type: none"> <li>• Check if the power plug is not connected.</li> <li>• Check the power failure.</li> </ul>
Water does not spray out	<ul style="list-style-type: none"> <li>• Check if the water supply is suspended.</li> <li>• Check if water feed valve is locked</li> <li>• Check if nozzle is blocked by foreign material</li> <li>• Check if connection hose is bent</li> </ul>
Water pressure is low	<ul style="list-style-type: none"> <li>• Check if water pipe filter is blocked by foreign material.</li> <li>• Check if the water pressure is set at too low level</li> </ul>
Water is not warm enough	<ul style="list-style-type: none"> <li>• Check if its temperature is set at 'Off' or 'Low'.</li> </ul>
Seat is not warm enough	<ul style="list-style-type: none"> <li>• Check if its temperature is set at 'Off' or 'Low'</li> </ul>

## Self-Diagnosis Table

※ When any abnormal phenomenon occurs, please refer to the following table, and inform the exact status at the time of requesting A/S service.

No	Self-Diagnosis Phenomenon	Way of Indication
1	Air pump motor disconnected or not inserted	WASH, BIDET, POWER WASH are out of operation
2	Air pump motor short-circuited	
3	Deodorizing motor: Check the cycle of rotation at low speed	
4	Stoppage of motor due to the over-current of deodorization motor	Buzzer sounds. Abnormal condition is differently indicated by symptoms
5	Heat stops in case of low speed rotation of drying motor	
6	Heater and drying motor simultaneously stop in case of the over-current of drying motor.	

# 11. Product Specifications

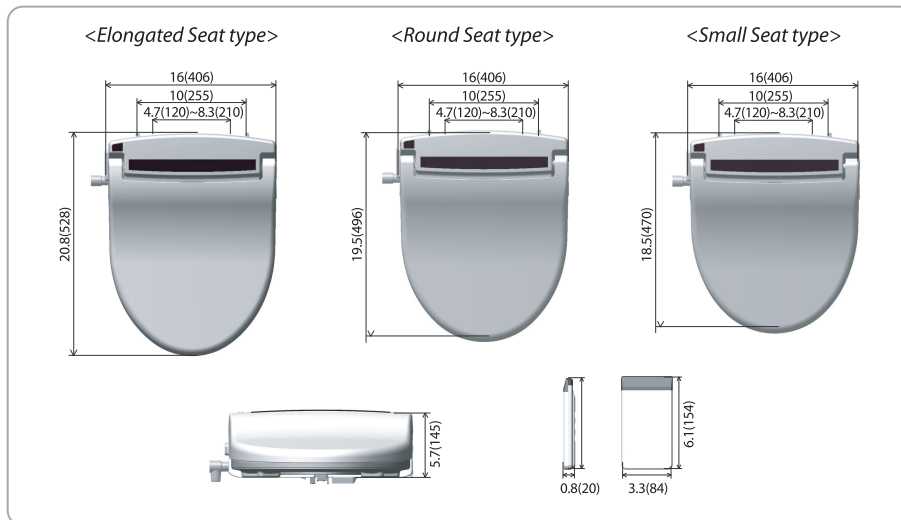
Item	Primus		
Rated Voltage	AC 120V, 60Hz		
Max. Consumption Power	1270W		
Power Cord Length	4ft.		
Water Feed Method	Directly Connected to Water Pipe		
Water Pressure	9.9 ~ 106.6psi		
Wash	Feeding Volume	Wash	0.16 gal/min
		Bidet	0.16 gal/min
		Power Wash	0.13 gal/min
	Water Pressure Control	5-Step Control	
	Temp. Control	Room Temp. ~ 100°F	
	Heat Capa.	1200W	
	Safety Device	Temp. Fuse, Thermo Switch	
Heated Seat	Temp. Control	Room Temp. ~ 107°F	
	Heater Capa.	55W	
	Safety Device	Temp. Fuse	
Dry	Temp. Control	Room Temp. ~ 122°F	
	Heater Capa.	250W	
	Safety Device	Temp. Fuse, Bi-metal	
Deodorization		Catalytic Deodorization	
Product Dimension	Elongated	16" × 20.8" × 5.7"	
	Round front	16" × 19.5" × 5.7"	
	Small	16" × 18.5" × 5.7"	
Product Weight	Elongated	10.6lb [17.3lb]	
	Round front	10.5lb [17.2lb]	
	Small	10.4lb [17.1lb]	

# 12. Comparison Chart

	Function	Primus
Wash/Dry Function	Wash	●
	Bidet	●
	Power Wash	●
	Dry	●
	Deodorization	●
	Bubble Wash	●
	Continuous Warm Water Supply	●
Convenient / Comfort Function	Automatic Energy Saving	●
	Learning Energy Saving	●
	Massage	●
	Pulse	●
	Remote control unit	●
	Warm Seat	●
	Soft Closing Lid & Seat	●
	Detachable Main Body	●
	Child	●

## ■ Dimension diagrams

inch(mm)



# 13. Warranty Information

## - WARRANTY -

1. We hereby guarantee the product as follow in accordance with the regulation of consumer damage compensation.
2. In case of failure of the product, please inform the distributor where you purchased the product.
3. Product warranty will be effective for 5 years since the product has been discontinued.

Product Name	Warranty Period	
Model Name	One (1) year since the date purchased	
Date Purchased		
SER.No.		
Customer's Address	Name	
	Tel.No	
Distributor's Address	Name	
	Tel.No.	

### Regarding Product Warranty Regulation...

1. We will repair the product at free of charge in case it was failed under the normal operating condition in accordance with the user guide during the warranty period.
2. Although it is within the warranty period, we will charge the repair service fee etc. (repair + product + travel expense) if it falls under the following cases.

### Voiding warranty

1. Defects occurred from the user's careless handling
2. Defects occurred from the usage with incorrect power voltage (E.g., 220V was used to the 110V product.)
3. Defects occurred from the improper repair done by the person other than our service engineer.
4. Defects occurred from Force Majeure (fire, salt, flood, etc.)
5. Failure or damage due to the drop, etc. (user's mis-handling) during the operation after installed
6. Defect occurred from the interior modification at user's discretion
7. In case the life cycle of the part expired

Mail, email or fax the warranty form to:

**YOUR LOCAL DEALER FIRST where you bought this appliance**

If your dealer is unable to assist you



Spaloo LLC  
2421 West Pratt #411  
Chicago, IL 60645

1-888-772-5662  
www.spaloo.com  
info@spaloo.com

Memo

Memo