

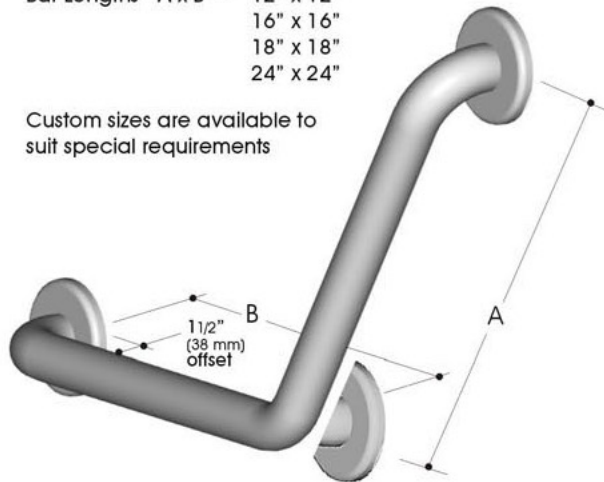
120° Angle Bars with Exposed Flanges

Architectural, Commercial, Institutional

Configuration 12
(12 x 12" without center post)

Bar Lengths A x B = 12" x 12"
16" x 16"
18" x 18"
24" x 24"

Custom sizes are available to
suit special requirements



Configuration 13
(16", 18", 24" angle bars with center post)

Raised 3 Hole "E"
Exposed Flange

