

90° Angle Bars with Concealed Flanges

Architectural, Commercial, Institutional

SPECIFICATION: (Stainless Steel)

90° Angle Bar with post and Twist-Lock concealed flanges. Manufactured by ELCOMA from 18 gauge, type 304, satin finished, stainless steel tubing. Three, 14 gauge stainless steel mounting flanges shall be Heliarc welded to the tube to form a single structural unit. Angle Bar shall comply with all applicable federal, and local building and safety codes.

1.25" (32 mm) bar dia. Model # 07-22*ST
1.50" (38 mm) bar dia. Model # 07-52*ST

(* insert standard size 2416 or 3216)
(substitute S for smooth with K for Knurled grip,
P for Peened grip, or G for SHUR-GRIP)

For opposite orientation substitute Model #7 with Model # 08

SPECIFICATION: (Painted Stainless Steel)

90° Angle Bar with post and Twist-Lock concealed flanges. Manufactured by ELCOMA from 18 gauge, Type 304 stainless steel tubing. Three, 14 gauge stainless steel mounting flanges shall be Heliarc welded to the tube to form a single structural unit. Angle Bar shall have a polyester powder coating finish. It shall comply with all applicable federal, and local building and safety codes.

1.25" (32 mm) bar dia. White Model # 07-26*ST01 (* insert standard size 2416 or 3216)
1.25" (32 mm) bar dia. Almond Model # 07-26*ST02 (substitute S for smooth with G for SHUR-GRIP)
1.50" (38 mm) bar dia. White Model # 07-56*ST01
1.50" (38 mm) bar dia. Almond Model # 07-56*ST02

For opposite orientation substitute Model # 7 with Model # 08

Set Screw Concealed Flange (see technical page for detail)

SPECIFICATION: (Stainless Steel)

90° Angle Bar with post and Set-Screw concealed flanges. Manufactured by ELCOMA from 18 gauge, Type 304, satin finished, stainless steel tubing. Three, 12 gauge stainless steel mounting flanges shall be Heliarc welded to the tube to form a single structural unit. Angle Bar shall comply with all applicable federal, and local building and safety codes.

1.25" (32 mm) bar dia. Model # 07-22*SC (* insert standard size 2416 or 3216)
1.50" (38 mm) bar dia. Model # 07-52*SC (substitute S for smooth with K for Knurled grip,
P for Peened grip, or G for SHUR-GRIP)

For opposite orientation substitute Model #7 with Model # 08

SPECIFICATION: (Painted Stainless Steel)

90° Angle Bar with post and Set-Screw concealed flanges. Manufactured by ELCOMA from 18 gauge, type 304, stainless steel tubing. Three, 12 gauge stainless steel mounting flanges shall be Heliarc welded to the tube to form a single structural unit. Angle Bar shall have a polyester powder coating finish. It shall comply with all applicable federal, and local building and safety codes.

1.25" (32 mm) bar dia. White Model # 07-26*SC01 (* insert standard size 2416 or 3216)
1.25" (32 mm) bar dia. Almond Model # 07-26*SC02 (substitute S for smooth with G for SHUR-GRIP)
1.50" (38 mm) bar dia. White Model # 07-56*SC01
1.50" (38 mm) bar dia.. Almond Model # 07-56*SC02

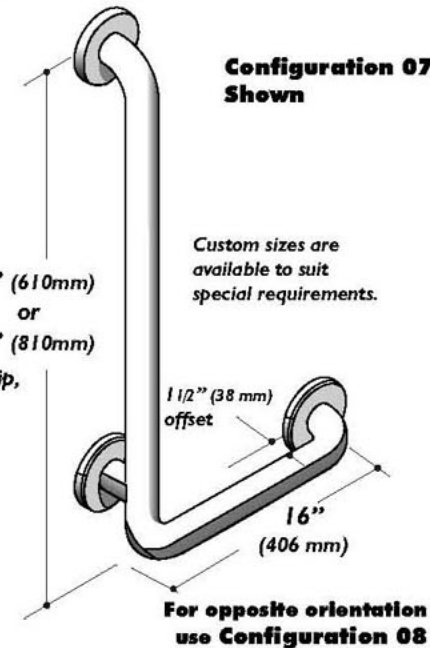
For opposite orientation substitute Model #7 with Model # 08

SPECIFICATION: (Chrome Plated Steel)

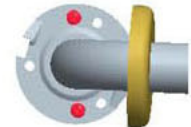
90° Angle Bar with post and Set-Screw concealed flanges. Manufactured by ELCOMA from 18 gauge steel tubing. Three, 12 gauge steel mounting flanges shall be brazed to the tube to form a single structural unit prior to triple plating. Angle Bar shall comply with all applicable federal, and local building and safety codes.

1.25" (32 mm) bar dia. Model # 07-21*SC (* insert standard size 2416 or 3216)
1.50" (38 mm) bar dia. Model # 07-51*SC (substitute S for smooth with K for Knurled grip)

For opposite orientation substitute Model #7 with Model # 08



Twist-Lock "T" Concealed Flange



Set-Screw "C" Concealed Flange

