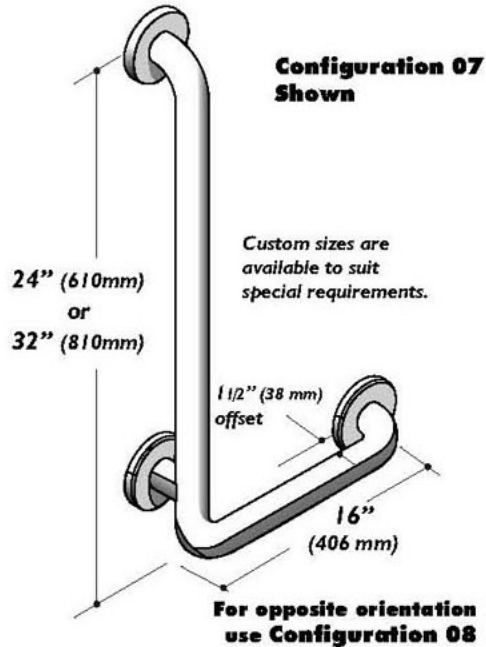


**90° Angle Bars  
with Exposed Flanges**

*Architectural, Commercial, Institutional*



**Raised 3 Hole "E"  
Exposed Flange**



**Flat 2 Hole "F"  
Exposed Flange**



*All bars supplied with stainless steel mounting screws*

