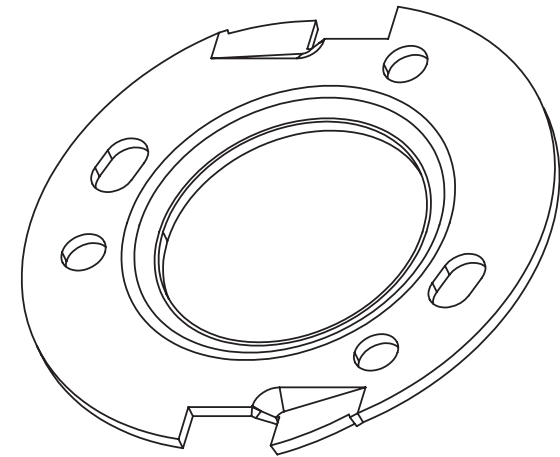
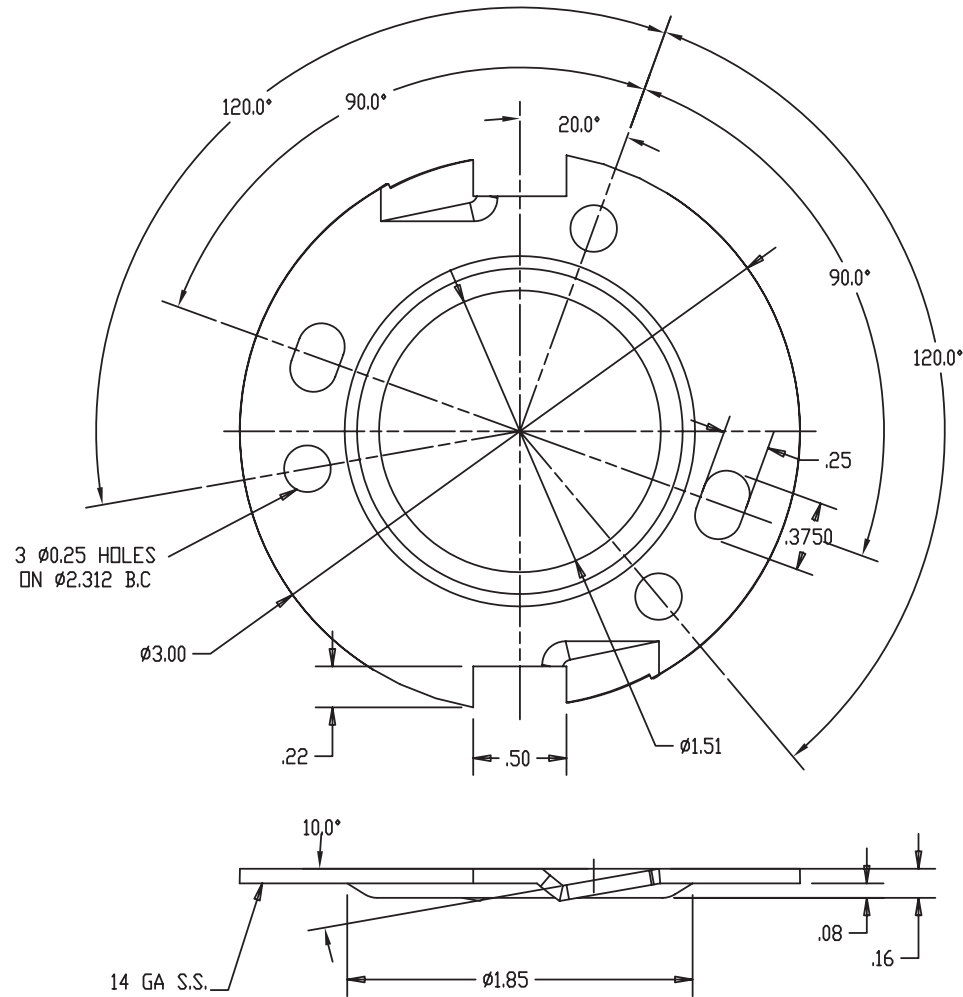


TWIST-LOCK CONCEALED FLANGE



Toll Free 1-866-585-0399
sales@grabbarspecialists.com
www.grabbarspecialists.com

PROPRIETARY AND CONFIDENTIAL
THE INFORMATION CONTAINED IN THIS DRAWING IS THE SOLE PROPERTY OF GBS GRAB BAR SPECIALISTS. ANY REPRODUCTION IN PART OR AS A WHOLE WITHOUT WRITTEN PERMISSION OF GBS GRAB BAR SPECIALISTS IS PROHIBITED.

ZONE	REV. #	REVISION DESCRIPTION	DATE	APPROVED
		DIMENSIONS ARE IN INCHES TOLERANCES: FRACTIONAL \pm 3/16" ANGULAIRE \pm 2° TWO PLACE DECIMAL \pm .125"		
		MATERIAL: 14 GA SS FLANGE: TWIST LOCK		
		1 1/2" 5 HOLES TWIST-LOCK S.S. FLANGE BASE (NEW)		
		NAME	DATE	
		DRAWN BY	Tony	Dec,06,04
		APPR. BY	J. Kubin	Dec,06,04
SIZE	DWG. NO.			REV.
A	W1-52TB-NEW			0
DO NOT SCALE DRAWING			WEIGHT:	SHEET 1 OF 1