

# "Twist-Lock" Concealed Flanges

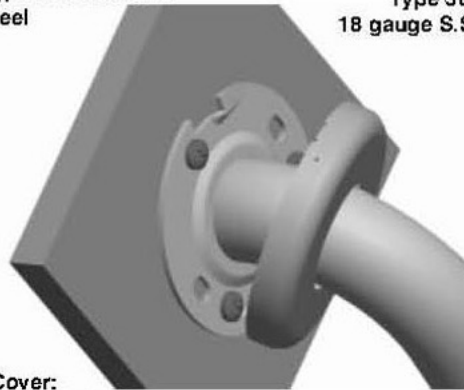
## Technical Page

### **Function #1**

*The locking tabs on the cover turn 15 degree under the matching wedges on the mounting flange to tighten the cover firmly in place. Hand tightening will secure the cover. (A gripping assist will be required to remove it.)*

Mounting Flange: 14 gauge  
Type 304 stainless  
steel

Tube:  
Type 304  
18 gauge S.S.



Cover:  
3" (76 mm) O.D.  
Type 304 S.S

### **Function #2 - Wingit Compatible**

*Wingits can either use three holes as shown or use the left two holes. The cover shall Snap into position firmly through three dimples on the cover.*

