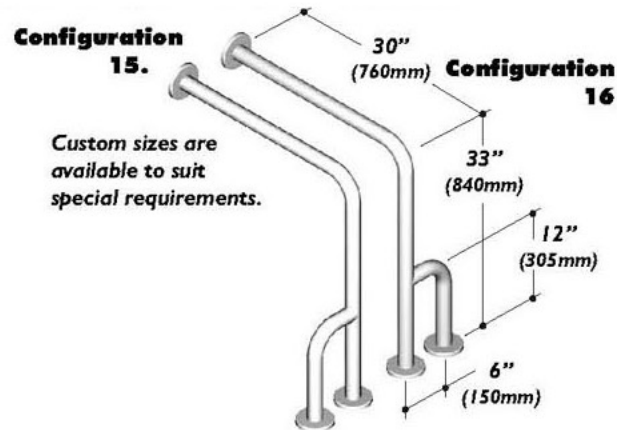
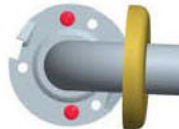


Wall to Floor Safety
Rails with Outrigger
1.25" dia. (32mm) or 1.50" dia. (38mm)
with Concealed Flanges
Architectural, Commercial, Institutional



Twist-Lock "T" Concealed Flange



Set-Screw "C" Concealed Flange

