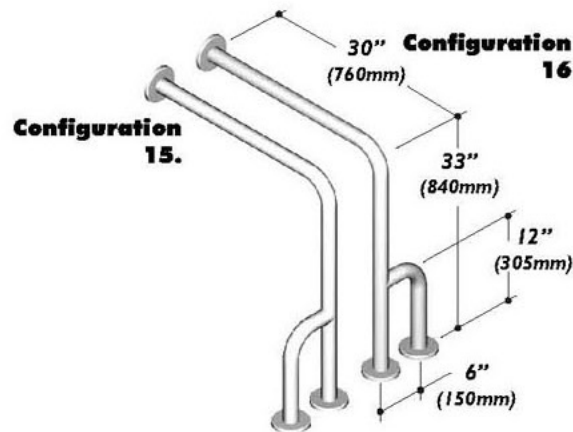


Wall to Floor Safety
Rails with Outrigger

1.25" dia. (32mm) or 1.50" dia. (38mm)

with Exposed Flanges

Architectural, Commercial, Institutional



Raised 3 Hole "E" Exposed Flange



Flat 2 Hole "F" Exposed Flange



*For painted bars there are more than 25 designer colors available on special request.
All bars supplied with stainless steel mounting screws*

