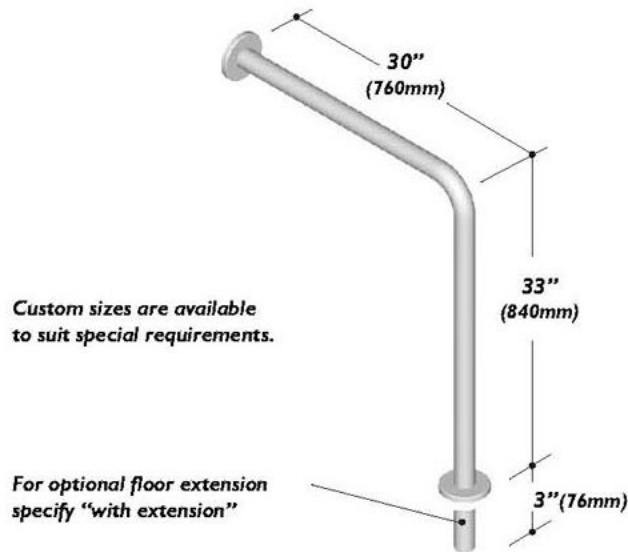


Wall to Floor Safety Rails

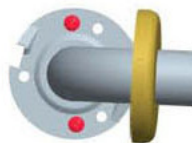
1.25" dia. (32 mm) or 1.50" dia. (38 mm)

with Concealed Flanges

Architectural, Commercial, Institutional



**Twist-Lock "T"
Concealed Flange**



For painted rails there are more than 25 designer colors available on special request.

