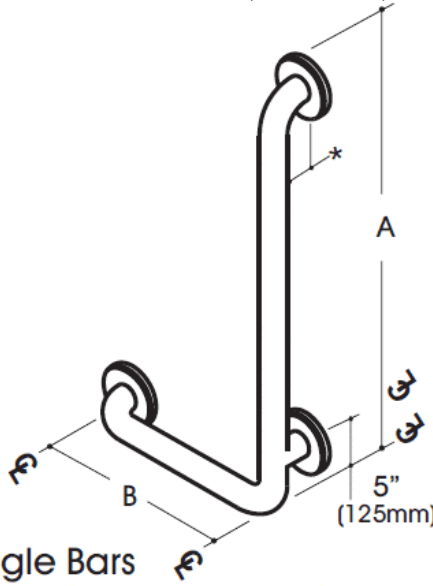




**GRAB BAR SPECIALISTS**  
**ADA Compliant Grab Bars**  
**Wall Mounted Shower Seats**  
**GrabBarSpecialists.com**  
**sales@grabbarspecialists.com**

**Custom Configuration and Special Application Grab Bars**  
**REQUEST A QUOTE**

Please complete the information below, save form, then email as an attachment to sales@grabbarspecialists.com



08 90° Angle Bars

GBS-08 | GBS-08-SC | GBS-08-CC  
**90° Angle Bar Left Hand**

Diameter:  1-1/4"  1-1/2"

Length (inches): A  x B

Finish/Color<sup>1</sup>:

Grip<sup>2</sup>:

Quantity:

**tubing:** Fabricated of type 304 18-gauge (1.24mm) stainless steel. Exposed surfaces polished to a #4 satin-finish.

**Snap Flange Mounting plate:** 11-gauge (3mm) type 304 stainless steel, 3" (76mm) in diameter and welded to bar. Snap flange cover plate escutcheon, which is decorative only, is 22-gauge (0.8mm) type 304 stainless steel. Mounting plates and center posts are welded to tubing. *Screws NOT included.*

**ADA Compliant** - Grab bars have been designed and tested to withstand 1300 lbs. downward pull when properly installed.

Comments:

**Your Contact Information**

Name:

Email:

Phone:

**FINISHES / COLORS**

**GBS-XX:** Stainless Steel, Polished Chrome, Brushed Nickel, Polished Brass, Antique Brass and Brushed Brass

**GBS-XX-SC:** White, Almond, Bisque, Light Oil Rubbed Bronze (Light ORB), Dark Oil Rubbed Bronze (Dark ORB) and Old World Bronze (OWB)

**GBS-XX-CC:** Buttercup Yellow, Ruby Red, Steel Blue, Ultramarine Blue, Biscuit/Linen, Anthracite Gray, Stone Gray, Light Gray, Pure White, Blossom Yellow, Vanilla, Lilac Blue, Ice Blue and Gloss Black

**GRIPS**

Smooth, Peened Knurled and Shur-Grip

<sup>1</sup> Finish/Color – Not all finishes/colors are available in all configurations.

<sup>2</sup> Grips – Not all grips are available in all configurations. Shur-Grip ONLY available for 1-1/4" diameter bars.