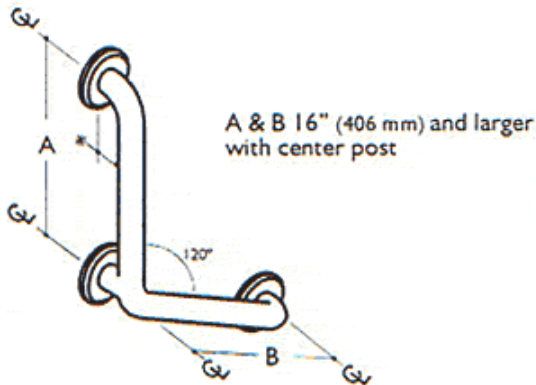


Custom Configuration and Special Application Grab Bars
REQUEST A QUOTE

Please complete the information below, save form, then email as an attachment to sales@grabbarspecialists.com



13 120° Angle Bars with center post

GBS-13 | GBS-13-SC | GBS-13-CC

120° Angle Bar with Center Post Right or Left Hand

Diameter: 1-1/4" 1-1/2"

Length (inches): A x B

Finish/Color¹:

Grip²:

Quantity:

tubing: Fabricated of type 304 18-gauge (1.24mm) stainless steel. Exposed surfaces polished to a #4 satin-finish.

Snap Flange Mounting plate: 11-gauge (3mm) type 304 stainless steel, 3" (76mm) in diameter and welded to bar. Snap flange cover plate escutcheon, which is decorative only, is 22-gauge (0.8mm) type 304 stainless steel. Mounting plates and center posts are welded to tubing. *Screws NOT included.*

ADA Compliant - Grab bars have been designed and tested to withstand 1300 lbs. downward pull when properly installed.

Comments:

Your Contact Information

Name:

Email:

Phone:

FINISHES / COLORS

GBS-XX: Stainless Steel, Polished Chrome, Brushed Nickel, Polished Brass, Antique Brass and Brushed Brass

GBS-XX-SC: White, Almond, Bisque, Light Oil Rubbed Bronze (Light ORB), Dark Oil Rubbed Bronze (Dark ORB) and Old World Bronze (OWB)

GBS-XX-CC: Buttercup Yellow, Ruby Red, Steel Blue, Ultramarine Blue, Biscuit/Linen, Anthracite Gray, Stone Gray, Light Gray, Pure White, Blossom Yellow, Vanilla, Lilac Blue, Ice Blue and Gloss Black

GRIPS

Smooth, Peened Knurled and Shur-Grip

¹ Finish/Color – Not all finishes/colors are available in all configurations.

² Grips – Not all grips are available in all configurations. Shur-Grip ONLY available for 1-1/4" diameter bars.