

Adult HDP Folding Shower Seats

Rectangle with Legs

Configuration:
Rectangle
with legs

Application Use:



Specifications

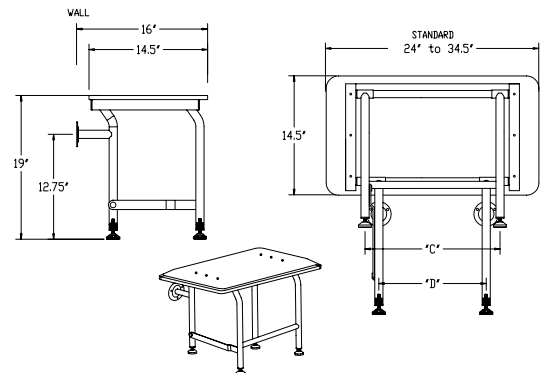
Folding shower seat are manufactured from 1" (25mm) diameter, 18 gauge and 1.25" x 1.25" (32mm x 32mm), 16 gauge, type 304 stainless steel tubing with #4 satin finish. Wall mount brackets shall be 12 gauge type 304 stainless steel. SOLID HDPE seat shall be 1/2" (13mm) thick and shall be mildew resistant. Shower Seat shall comply with all applicable federal, provincial and local building and safety codes.

HDP - High Density Polyethelene marine grade polymer is an industry standard to withstand the harshest marine conditions. It will not rot or delaminate and is easy to clean.



Custom sizes are available to suit special requirements.

24" x 16"	(609mm x 406mm)	White HDP	Model # 62-PO2420WLEG
26" x 16"	(660mm x 406mm)	White HDP	Model # 62-PO2620WLEG
28" x 16"	(711mm x 406mm)	White HDP	Model # 62-PO2820WLEG
30" x 16"	(762mm x 406mm)	White HDP	Model # 62-PO3020WLEG
32" x 16"	(812mm x 406mm)	White HDP	Model # 62-PO3220WLEG
34.5" x 16"	(876mm x 406mm)	White HDP	Model # 62-PO34520WLEG



Shower Seats have been designed and tested to withstand 600 Lbs.of load when properly installed.* This exceeds HUD, FHA, VA, ADA, ANSI and other federal, provincial, and local codes. *Shower seats can only be as strong as what they are mounted to. It is imperative when installing any shower seat to consult with a qualified contractor to insure you have sufficient backing.

SEAT SIZE	24	26	28	30	32	34.5"
LEG WIDTH "C"	14.4	16.4	18.4	20.4	22.4	24.9
LEG WIDTH "D"	11.1	13.1	15.1	17.1	19.1	21.6