

## Deluxe Shower Seat

### Item Code and Description

- a. DS4100-BU . . . Standard 'U' shower seat with blue pad
  - i. replacement pad: item code 04185

### General Product Description

- a. fold-up shower seat with 'U' shaped cutout in seat

### Physical Characteristics

- a. stainless steel frame, legs, and mounting bracket
- b. powder-coated frame, upper leg sections, and mounting bracket
- c. molded polyethylene seat
- d. closed cell polyurethane seat pad
- e. includes two sets of lower legs, each with holes to adjust height of seat
- f. rubber feet
- g. one foot in each pair of legs has fine height adjustment feature
- h. seat swings to fold against wall
- i. includes plastic seat pad retainers and seat plugs
- j. color: white frame, upper legs, feet, and mounting bracket; polished aluminum lower legs; blue pad
- k. weight: approximately 18 lbs.
- l. fasteners not included due to the vast variety of wall and blocking types and thicknesses

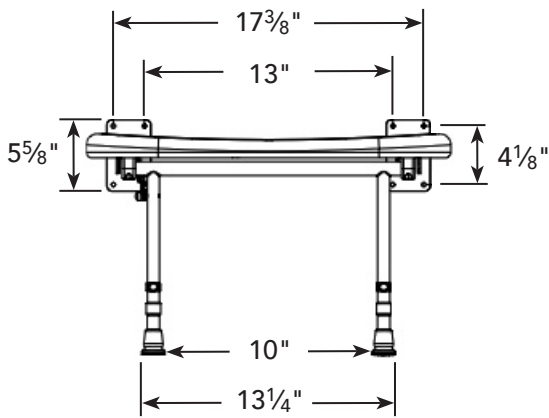
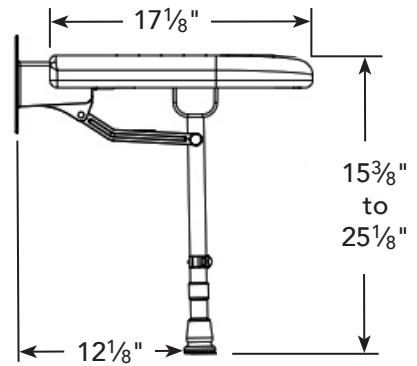
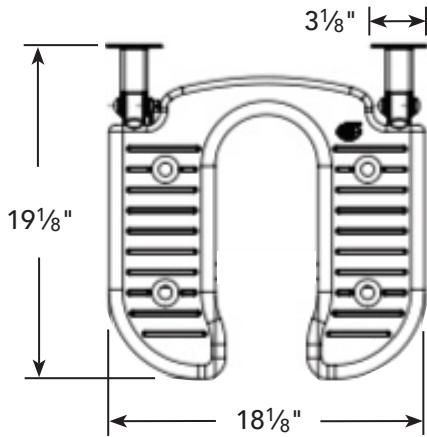
### Performance Characteristics

- a. supports up to 560 lbs. when properly installed (rating based on seated user; do not stand on seat)
- b. lower leg sections are adjustable in  $\frac{3}{4}$ " increments; nearly 10" range of height adjustment; install the lower leg set that achieves the desired seat height
- c. adjust height to suit user before mounting to wall
- d. hinged seat swings past 90° to remain in folded, upright position; legs fold as seat swings
- e. fine height adjustment allows compensation for slope of floor (+/-  $\frac{1}{2}$ " range of adjustability)
- f. closed cell foam pad will not absorb water
- g. pad is removable; seat may be used with or without pad; retainers secure pad to seat; plugs fill holes in seat for pad if user foregoes installation of the pad
- h. hole in seat allows water drainage
- i. seat must be mounted to substantial, well-secured blocking, usually of 2× solid wood (toenailing is not sufficient; use cleats or notch blocking into studs), though brick, concrete, or concrete block can also be suitable mounting materials
- j. #14 round head or hex head fasteners recommended (do not use flat head type fasteners); use stainless steel fasteners in wet area installations; each fastener must be capable of withstanding 77 lbs. of pull-out force; the length of fasteners will depend on the distance to drive them deeply into an appropriately reinforced material capable of supporting the load; drive a fastener into every mounting bracket pilot hole
- k. for interior installations only
- l. seat must be mounted so that it is level in all directions and remains in a 90° orientation to the legs
- m. the fine height adjustment hex nut must be checked regularly to ensure that it is tight; a loose nut on the fine height adjustment will allow the leg height to change, which will alter the orientation of the seat to the legs, potentially affecting the performance, integrity, and durability of the shower seat
- n. clean and disinfect regularly; pad will not absorb water, however water, soap, and other materials trapped under the pad may result in the onset of mold or mildew; use mild detergent; do not use abrasive pads, or strong acidic, alkaline or other harsh cleaning materials as this may cause discoloration; after cleaning, always flush with water.

### Other Information

- a. manufacturer's warranty: 10-year for residential installations, 5-year for commercial installations
- b. see AKW warranty for details

Deluxe Shower Seat



'U' cutout: 6" x 14 1/2"  
Seat pad item code: 04185

