

## Fold-up Support—no leg

### Item Code and Description

- a. GB1810-WH . . . Fold-up Support—no leg (white)

### General Product Description

- a. a steel, U-shaped bar with hinge that allows support to swing up and down
- b. mount to a wall
- c. install where no side wall is available for mounting a standard grab bar
- d. commonly installed near a toilet to allow unhindered entry and exit while providing user nearby support

### Physical Characteristics

- a. made of steel with rust inhibitor treatment
- b. epoxy-resin coated
- c. bar diameter: 1¼"
- d. overall projection from wall: 30¾"
- e. mounting plate dimensions: 12¾" x 4"
- f. color: white
- g. supplied with toilet paper holder (clamp-on gray plastic)
- h. installation hardware not included

### Performance Characteristics

- a. fold support up or down as needed
- b. support engages a retaining clip to remain in the upright position
- c. when folded upright, support allows unhindered access to a fixture (toilet, sink, or bathtub, for example)
- d. when folded down, support provides a sturdy handhold for balance and leverage
- e. typically installed where access flexibility is required and a wall is unavailable to position a grab bar
- f. U-shape allows many options for gripping and leveraging support
- g. rated for 220 lb. load when properly installed
- h. installation requires substantial, well secured blocking in or on wall
- i. use ¼" dia. fasteners to mount support to wall blocking (fastener type and length vary depending on wall materials, thickness of wall, and other factors); stainless steel fasteners recommended in wet area locations

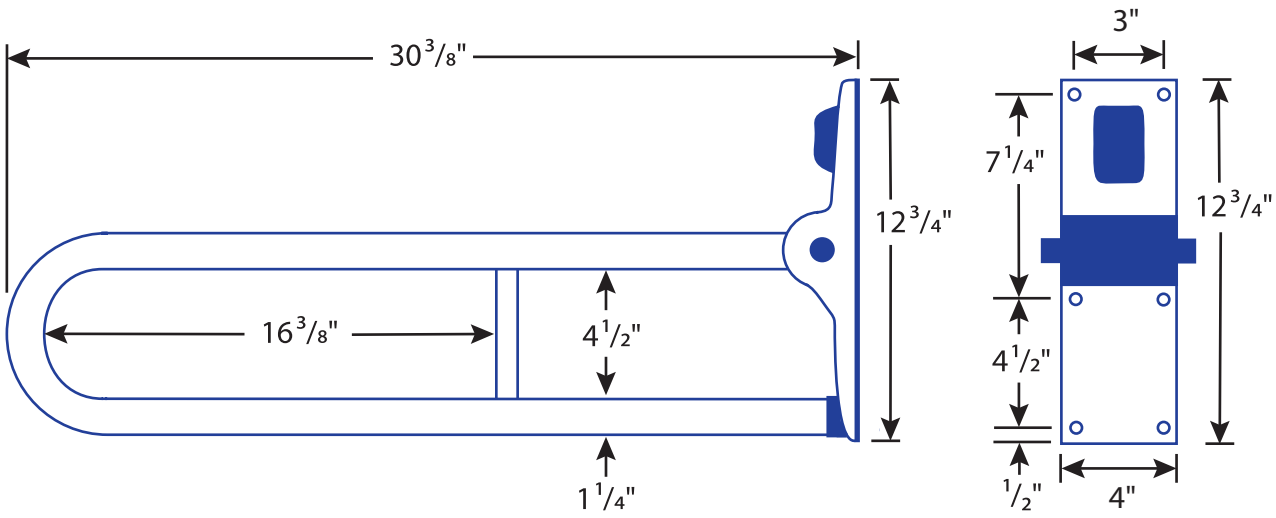
### Compliance

- a. meets ICC/ANSI ASTM 117.1 standard
- b. ADA compliant
- c. passed ASTM B117-87 salt spray test

### Other Information

- a. 5-year limited warranty when installed in commercial settings
- b. 10-year limited warranty when installed in residential settings
- c. see AKW warranty for details

# Fold-up Support—no leg



**Mounting Bracket**  
(support removed for clarity)

