



AMERICAN SPECIALTIES, INC.

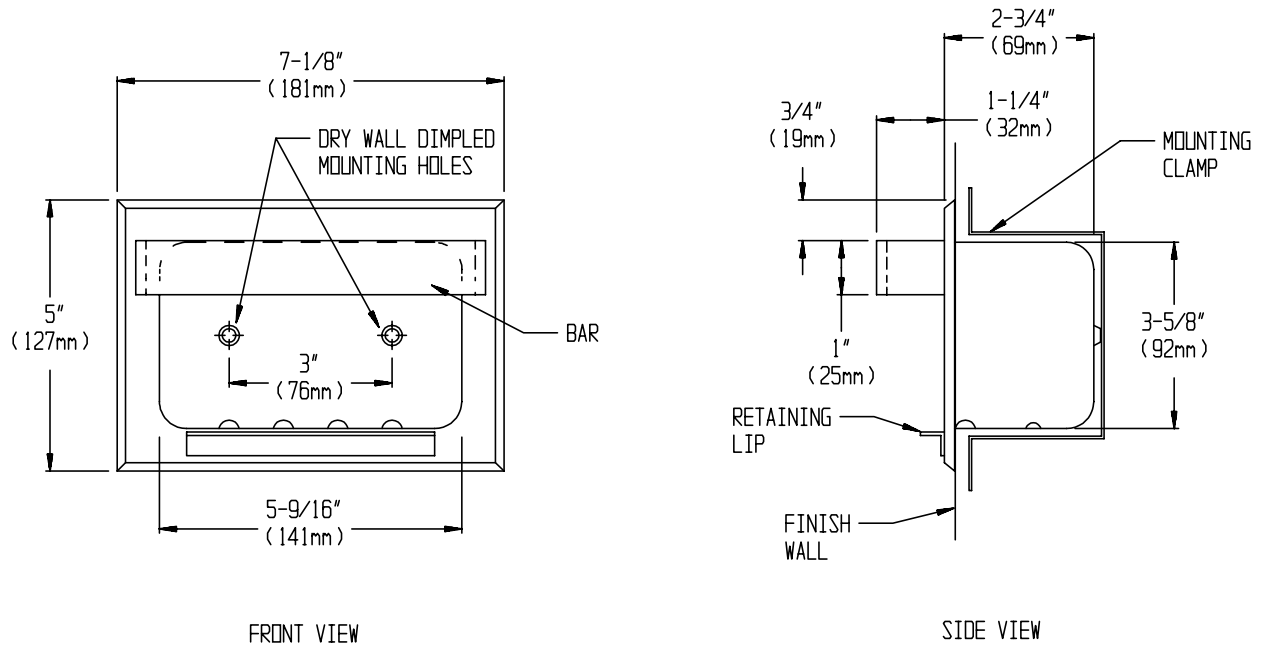
441 Saw Mill River Road, Yonkers, NY 10701 (914) 476-9000

MODEL No: 0398

ISSUED: 1-87

REVISED: 8-04

HEAVY DUTY STAINLESS STEEL SOAP DISH WITH RECTANGULAR SOLID BAR



SPECIFICATION

Heavy Duty Stainless Steel Soap Dish with Rectangular Solid Bar for dry wall mounting shall be fabricated of alloy 18-8 seamless deep drawn stainless steel, type 304, 20 gauge . Exterior shall have polished bright finish. Retaining lip shall be welded to body and shall project 5/8" (16mm) with rounded corners. Mounting clamp shall be fabricated of 18 gauge corrosion protected steel with mounting holes for 8-32 machine screws. Patterned raised dimples on soap shelf shall provide water runoff path and prevent soap from slipping

Heavy Duty Stainless Steel Soap Dish with Rectangular Solid Bar shall be Model N°0398 as manufactured by American Specialties, Inc., 441 Saw Mill River Road, Yonkers, New York 10701-4913.

INSTALLATION

Loosely attach mounting clamp to back of unit with two (2) 8-32 machine screws (by others). Insert unit into wall opening and adjust clamp so that it grips surface inside opening. Secure unit by tightening screws.

Rough Wall Opening (RWO) required is6-1/8" W x 4-1/8" H x 4" D (156mm x 105mm x 102mm)

OPERATION

Raised dimples on the soap shelf allow water to drain away and provide gripping surface to retain soap.

Accessory Specialties

AMERICAN DISPENSER

Desert Ray Products

WATROUS INC.