



**AMERICAN SPECIALTIES, INC.**

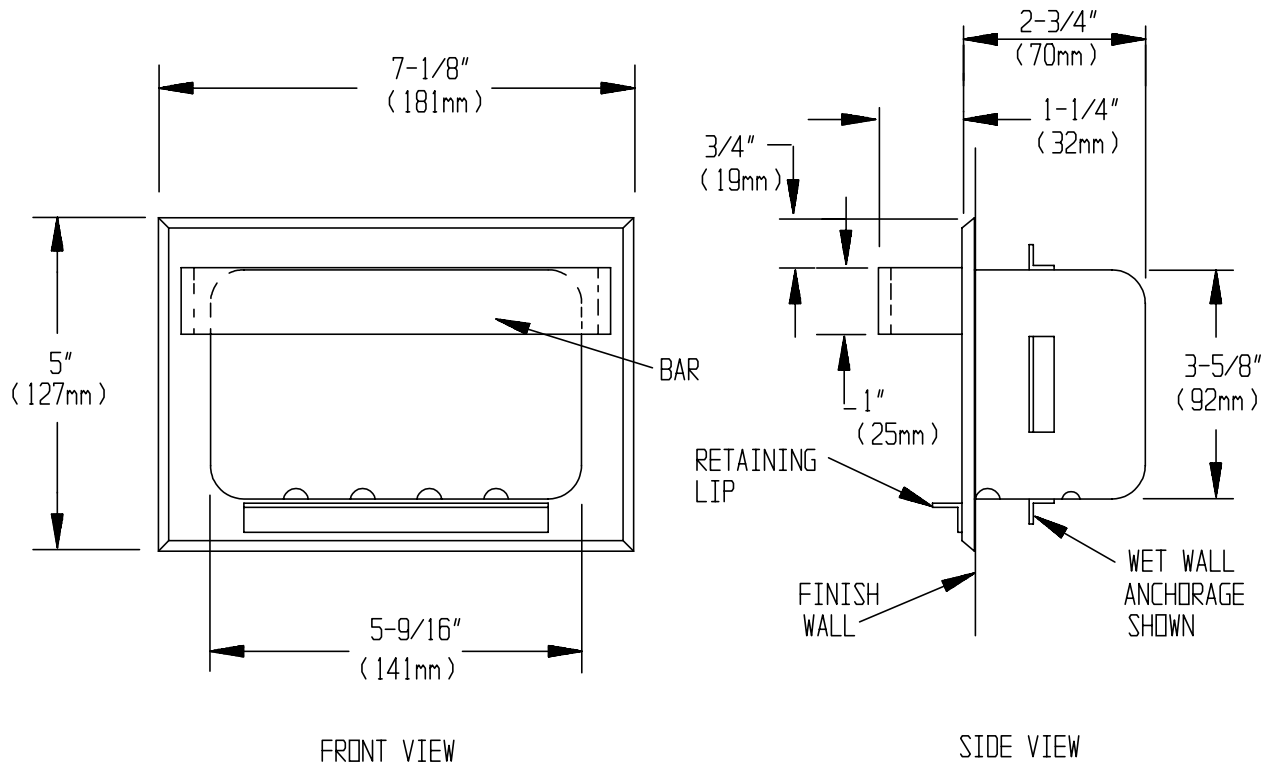
441 Saw Mill River Road, Yonkers, NY 10701 (914) 476-9000

MODEL No: 0399

ISSUED: 1-87

REVISED: 9-04

**HEAVY DUTY STAINLESS STEEL SOAP DISH WITH RECTANGULAR SOLID BAR**



**SPECIFICATION**

Heavy Duty Stainless Steel Soap Dish with Rectangular Solid Bar for wet wall mounting shall be fabricated of alloy 18-8 stainless steel, type 304. Dish housing shall be seamless 20 gauge with exterior to be polished bright finish. Retaining lip shall be welded to body and shall project 5/8" (16mm) with rounded corners. Anchor shall be stainless steel 22 gauge and be welded onto unit. Bar shall be stainless steel 3/16" x 1" (5mm thick x 25mm high) with 3/4" (19mm) radius bends and shall be welded to housing. Patterned dimples on soap shelf shall provide water run-off path and prevent soap from slipping.

**Heavy Duty Stainless Steel Soap Dish and Bar shall be Model N° 0399 as manufactured by American Specialties, Inc., 441 Saw Mill River Road, Yonkers, New York 10701-4913.**

**INSTALLATION**

Fill rough wall opening with tile cement. Apply cement to back shell and anchors and insert into wall opening. Set flange flush with face of finished wall.

**Rough Wall Opening (RWO) required is..... 6-1/8" W x 4-1/8" H x 3" D (156mm x 105mm x 76mm)**

**OPERATION**

Raised dimples on the soap shelf allow water to drain away and provide gripping surface to retain soap.

Accessory Specialties

AMERICAN DISPENSER

Desert Ray Products

**WATROUS** .INC.