



AMERICAN SPECIALTIES, INC.

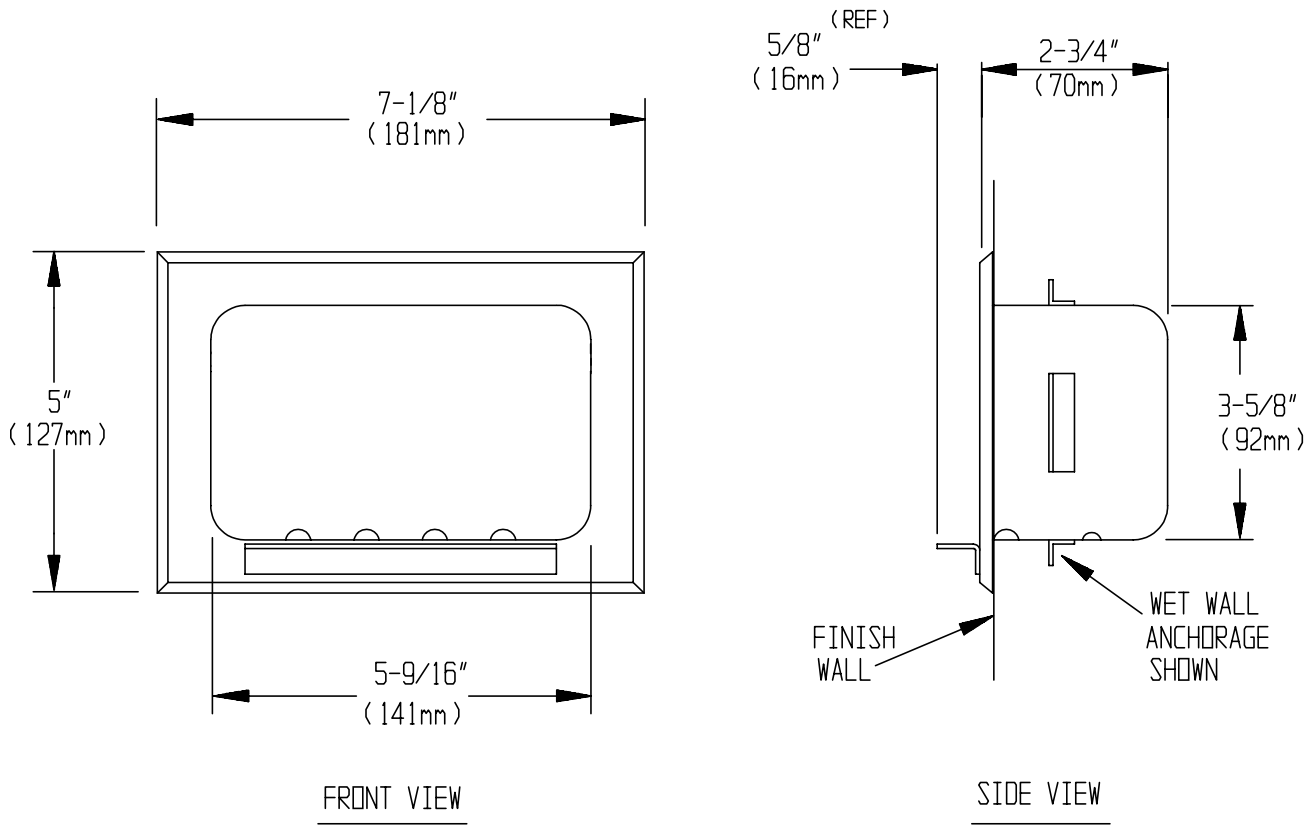
441 Saw Mill River Road, Yonkers, NY 10701 (914) 476-9000

MODEL No: 0401

ISSUED: 1-87

REVISED: 5-05

HEAVY DUTY STAINLESS STEEL SOAP DISH



SPECIFICATION

Heavy Duty Stainless Steel Soap Dish for wet wall mounting shall be fabricated of alloy 18-8 seamless deep drawn stainless steel, type 304, 20 gauge . Exterior shall have polished bright finish. Retaining lip shall be welded to body and shall project 5/8" (16mm) with rounded corners. Anchors shall be stainless steel 22 gauge and four (4) shall be welded onto unit. Patterned raised dimples in soap shelf shall provide water run-off path and prevent soap from slipping.

Heavy Duty Stainless Steel Soap Dish shall be Model N° 0401 as manufactured by American Specialties, Inc., 441 Saw Mill River Road, Yonkers, New York 10701-4913.

INSTALLATION

Fill rough wall opening with tile cement. Apply cement to back of shell and anchors and insert into wall opening. Set flange flush with face of finished wall.

Rough Wall Opening (RWO) required is..... 6-1/8" W x 4-1/8" H x 3" D (156mm x 105mm x 76mm)

OPERATION

Raised dimples in the soap shelf allow water to drain away and provide gripping surface to retain soap.

Accessory Specialties

AMERICAN DISPENSER

Desert Ray Products

WATROUS .INC.