



AMERICAN SPECIALTIES, INC.

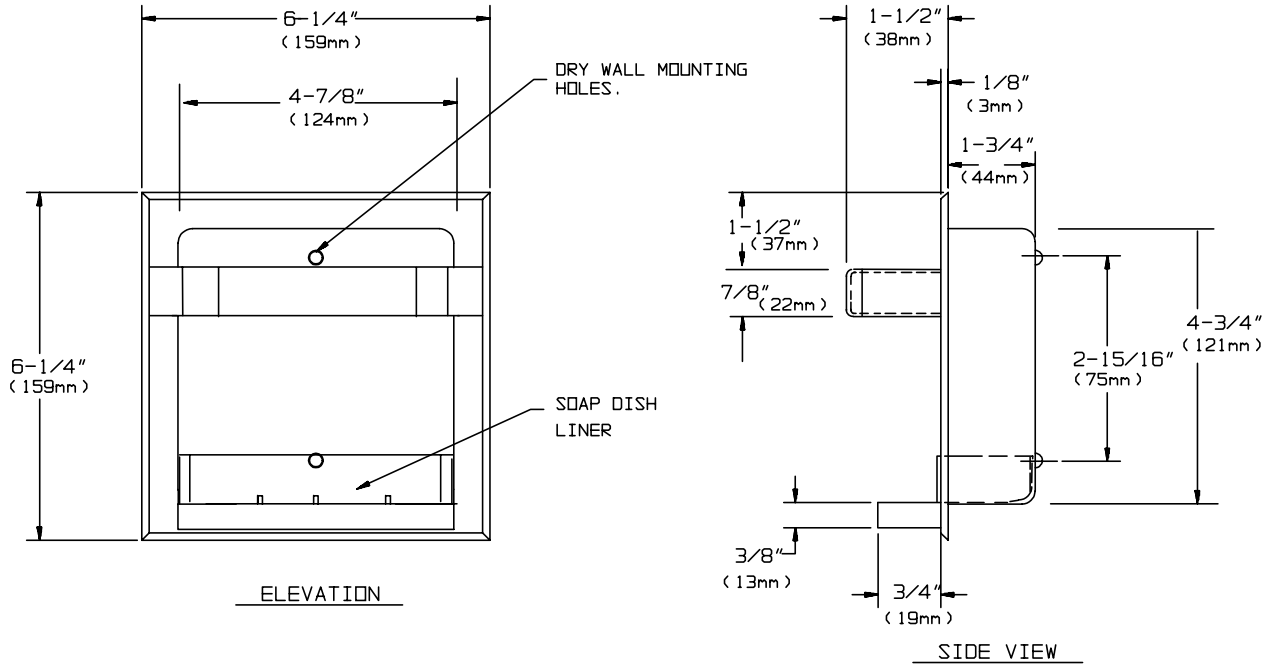
441 Saw Mill River Road, Yonkers, NY 10701 (914) 476-9000

MODEL No: 0410-Z

ISSUED: 4-95

REVISED: 9-04

RECESSED SOAP DISH WITH BAR



SPECIFICATION

Recessed Soap Dish with Bar shall be fabricated of Zamac, of one piece seamless construction. Back shall have (2) dimple holes for dry wall installation. A raised lip shall be provided to prevent tumbler slippage. Bar shall be held in place by two (2) swaged rivets secured to trim. All exposed surfaces shall be triple plated with copper, nickel and chrome to a mirror finish.

Recessed Soap Dish with Bar shall be Model N° 0410-Z of American Specialties, Inc. 441 Saw Mill River Road Yonkers, New York 10701- 4913

INSTALLATION

Wet wall installation: Apply grout to back of unit and on perforated lugs and push unit into opening.

Dry wall installation: Fasten unit to wall opening with (2) two N° 10 self tapping screws (supplied) through dimpled holes at back of shell.

Rough Wall Opening (RWO) required is..... 5-1/4"W x 5-1/4"H x 2"D (133mm x 133mm x 41mm).

For maximum usability and compliance with ADA Accessibility Guidelines, unit should be installed so that bottom of unit is 54" (1371 mm) maximum above finished floor (AFF) when clear side access is provided; 48" (1219mm) maximum AFF with forward reach access only provided and 46" (1168mm) maximum with side reach over an obstruction (ie: vanity). Recommended installation is 52" (1321mm) from finished floor to bottom of dish in showers or 6" (152mm) maximum above bathtub rim.

OPTIONS

(indicate option with check mark ✓)

Wet wall install	<input type="checkbox"/>
Dry wall install	<input type="checkbox"/>

Accessory Specialties

AMERICAN DISPENSER

Desert Ray Products

WATROUS INC.