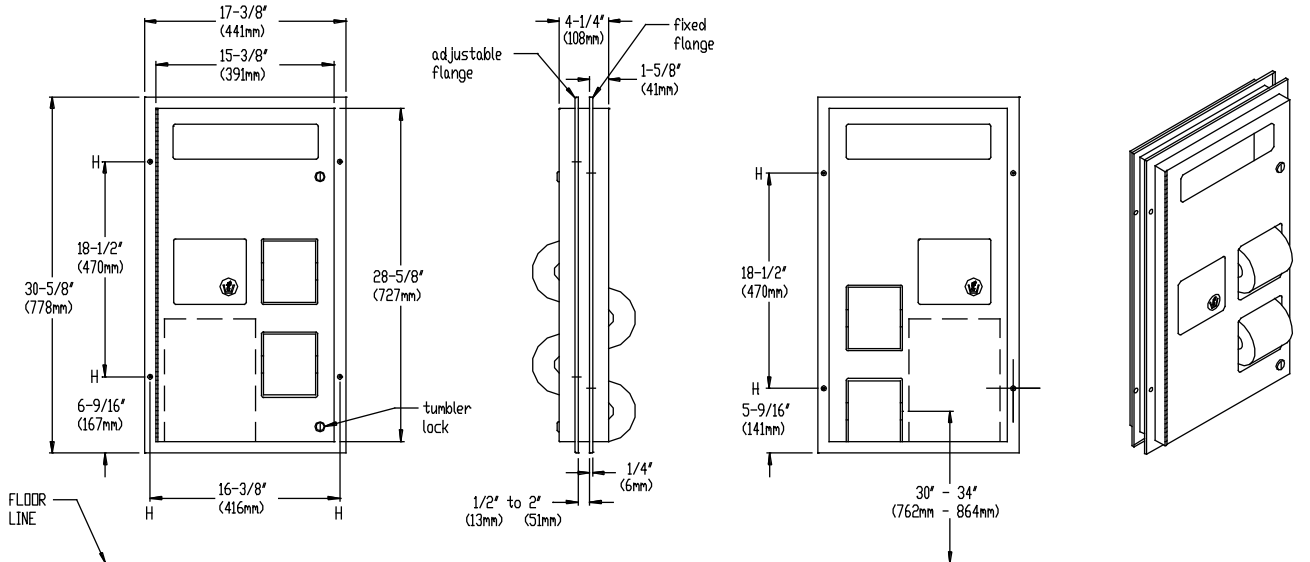




AMERICAN SPECIALTIES, INC.

MODEL No:	0481
ISSUED:	1-87
REVISED:	3-99

PARTITION MOUNTED SEAT COVER & TOILET PAPER DISPENSER WITH SANITARY DISPOSAL



SPECIFICATION

Partition Mounted Dual Access Seat Cover and Toilet Paper Dispenser and Sanitary Disposal shall hold and dispense 1000 paper seat covers and four rolls standard or 1800 sheet 4-1/2" x 5-1/4" (114mm x 133mm) toilet paper. Napkin disposal capacity shall be 1.2 gal (4.5 liters). Door shall be fabricated of alloy 18-8 stainless steel, type 304, 18 gauge; face frame and cabinet shall be 22 gauge; all exposed surfaces shall have N°4 satin finish and be protected by a plastic PVC film easily removed after installation. Seat cover cut-out shall have a fully deburred edge for snag-free dispensing and user safety. Disposal door shall be hung on spring tensioned hinges and shall have international graphic symbol. Dispenser/waste door shall be attached to cabinet at side with a full length 3/16" (5mm) dia. stainless steel multi-staked piano hinge and shall be held closed with tumbler locks keyed alike to other ASI Washroom Equipment. Face trims shall be 1" (25mm) wide formed from one piece with no mitres, welding or open seams and have 1/4" (6mm) square return to face of partition. Structural assembly of all components shall be of welded construction. Cabinet shall include four theft resistant spindles and removable stainless steel waste receptacle.

Partition Mounted Seat Cover and Toilet Paper Dispenser with Sanitary Disposal shall be Model N° 0481

INSTALLATION

Unit is mounted in partition using N°10 self tapping screws (supplied). Unit should be installed so that top of face trim is 57" to 61" (1448mm to 1549mm) above finished floor. Note partition cutout is 7/8" (22mm) below top of face trim.

Partition Cutout Required is...15-1/2" W x 28-7/8"H x 1/2" to 2" thick partition (394mm x 733mm x 13 to 51mm).

OPERATION

Seat covers are self-feeding until supply is depleted. Toilet paper rolls feed freely until depleted, level of supply is constantly visible for low level warning. Waste container is emptied manually on cycle determined by maintenance needs. Toilet paper rolls, paper seat covers and waste receptacle are serviced from one side, for both stalls, by unlocking and opening door.

Accessory Specialties

AMERICAN DISPENSER

Desert Ray Products

WATROUS INC.