



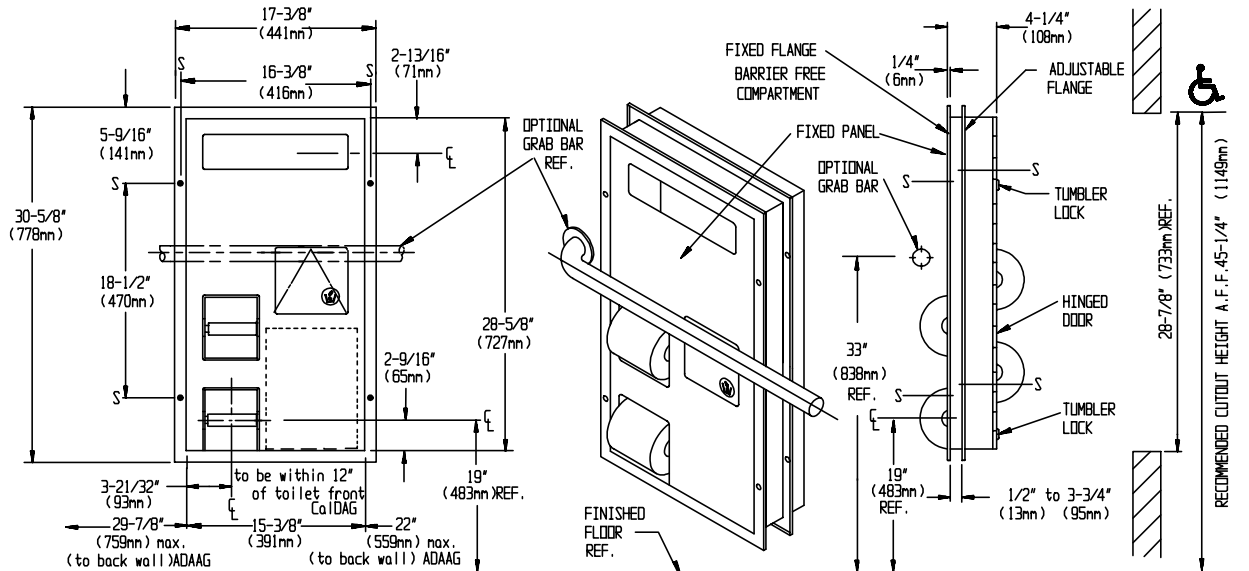
AMERICAN SPECIALTIES, INC.

MODEL No: 0481-HC

ISSUED: 1-87

REVISED: 2-06

PARTITION MOUNTED DUAL ACCESS SEAT COVER & TOILET PAPER DISPENSER WITH SANITARY NAPKIN DISPOSAL



SPECIFICATION

Partition Mounted Dual Access Seat Cover & Toilet Paper Dispenser with Sanitary Napkin Disposal shall hold and dispense 1000 standard single or half-fold paper toilet seat covers contained in supply box and four (4) standard or 1000 sheet rolls of toilet tissue, and shall have a waste capacity of 1.3 gal. (4.9 liters) or 300 in³ (.005 m³). Cabinet and frame shall be stainless steel, alloy 18-8 type 304, 22 gauge; door shall be 18 gauge. All exposed surfaces shall have N^o 4 satin finish protected during shipment with PVC plastic film, which shall be easily removable after installation. Face trim mounting flanges shall be of one piece construction 1" (25.4mm) wide with no welded miters and shall have square 1/4" (6.4mm) returns with an adjustability range for partition thickness of 1/2" (13mm) to 3-3/4" (95mm). Flange on HC panel side of unit shall be flush with face of unit to permit flush mounting behind grab bar. Cover dispensing slot shall have a fully deburred flat edge for snag-free dispensing and user safety. A privacy baffle shall be provided to separate both compartments. Cabinet door shall be attached to face frame with a full-length, heavy-duty 3/16" diameter (Ø4.8mm) stainless steel multi-staked piano hinge and shall be held closed with tumbler locks keyed alike to other ASI washroom equipment. Door shall be opposite HC stall. Disposal doors shall be hung on cabinet with a stainless steel spring hinge and have the international waste disposal symbol on face. Tamper resistant waste container shall be fabricated of heavy-duty stainless steel. Toilet paper dispenser shall have four (4) tamper resistant spindles and be removable only when cabinet door is open. Structural assembly of cabinet and door components shall be of welded construction and shall have no exposed fasteners.

Partition Mounted Dual Access Seat Cover & Toilet Paper Dispenser with Sanitary Napkin Disposal shall be Model N^o 0481-HC,

INSTALLATION

Unit is mounted in partition using N^o10 self-tapping screws (supplied). One trim mounting flange adjusts for partition thickness of 1/2" (13mm) to 3-3/4" (95mm). For compliance with ADA Accessibility Guidelines, top of cutout should be between 56-7/8" (1445mm) and 45-1/4" (1149mm) AFF. To comply with CalDAG mounting height and for use with grab bar, top of cutout should be 45-1/4" (1149mm) AFF and cutout shall have its bottom edge 16-3/8" (416mm) AFF. If grab bar is used it is positioned across unit at 33" (838mm) AFF to center line.

Partition Cutout Required is 15-1/2" W x 28-7/8" H (394mm x 733mm).

OPERATION

Users push disposal doors to deposit waste material. Doors are self-closing and operate independently and may be used simultaneously. Maintenance schedule determines waste removal cycle. Unit is emptied by unlocking door and removing bottom waste container and inverting over collection bag. Waste container is behind locked door to prevent inadvertent dumping and unauthorized removal, and safety-edged finger hole provides convenient grip for service. Seat covers are self-feeding until supply is depleted and dispenser is manually reloaded with a full box through access door on schedule determined by maintenance requirements. Toilet paper spindles are carried in sub-frame accessible when door is opened for replacement of paper rolls. Toilet paper rolls feed freely until depleted. Level of supply is constantly visible for low-level warning.

Accessory Specialties

AMERICAN DISPENSER

Desert Ray Products

WATROUS INC.