



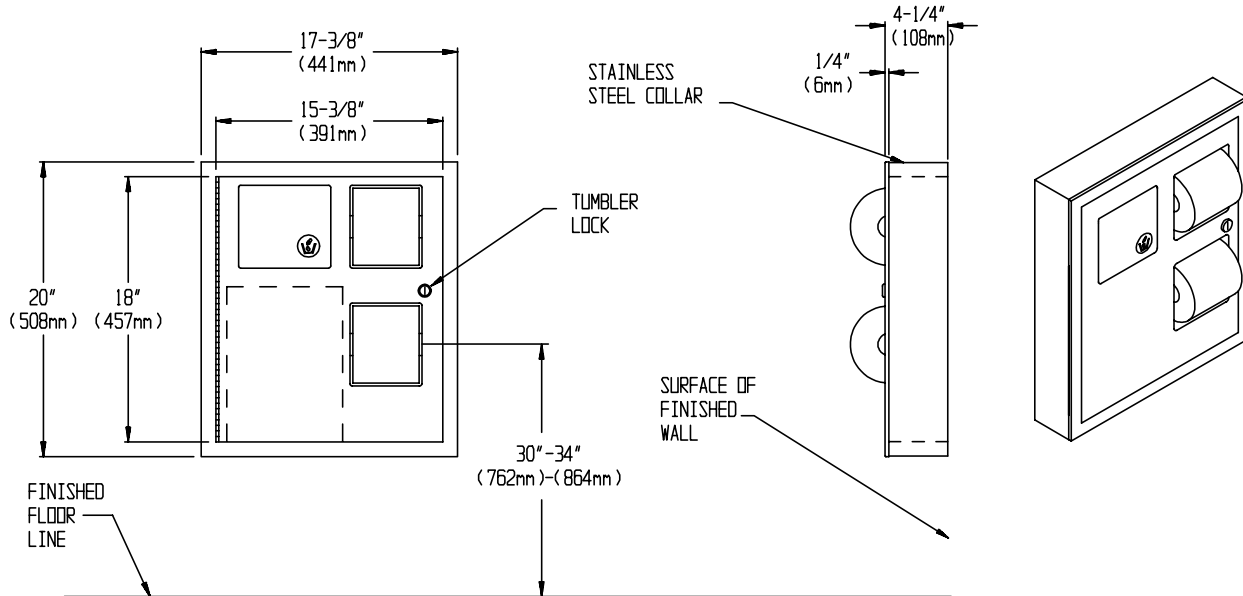
AMERICAN SPECIALTIES, INC.

MODEL No: 04833

ISSUED: 1-87

REVISED: 9-04

SURFACE MOUNTED TOILET PAPER DISPENSER WITH SANITARY NAPKIN DISPOSAL



SPECIFICATION

Surface Mounted Toilet Paper Dispenser with Sanitary Napkin Disposal shall hold and dispense two rolls standard or 1800 sheet 4 1/2" X 5-1/4" (114mm x133mm) toilet paper. Napkin disposal capacity shall be 1.2gal (4.5 liters). Toilet paper dispenser door shall be fabricated of alloy 18-8 stainless steel, type 304, 18 gauge; face frame and cabinet shall be 22 gauge; all exposed surfaces shall have N°4 satin finish and be protected by a plastic PVC film easily removed after installation. Disposal door shall be hung on spring tensioned hinges and shall have international graphic symbol. Dispenser/waste door shall be attached to cabinet at side with a full length 3/16" (5mm) dia. stainless steel multi-staked piano hinge and shall be held closed with a tumbler lock keyed alike to other ASI washroom equipment. Face trim shall be 1" (25mm) wide formed from one piece with no mitres, welding or open seams and have 1/4" (6mm) square return. Structural assembly of all components shall be of welded construction. Cabinet shall include two theft resistant toilet paper spindles and removable stainless steel waste receptacle. Unit shall be provided with a collar to allow cabinet to be surface mounted to face of wall.

INSTALLATION

Unit is surface mounted to face of wall using four (4) N° 10 self tapping screws (by others) through concealed mounting holes provided. Unit should be installed so that top of trim is 47" to 51" (1194mm to 1295mm) above finished floor.

OPERATION

Toilet paper rolls feed freely until depleted, level of supply is constantly visible for low level warning. Waste container is emptied manually on cycle determined by maintenance needs. Toilet paper rolls and waste receptacle are serviced by unlocking and opening door.

Accessory Specialties

AMERICAN DISPENSER

Desert Ray Products

WATROUS .INC.