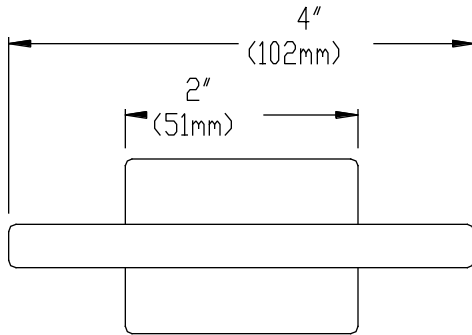




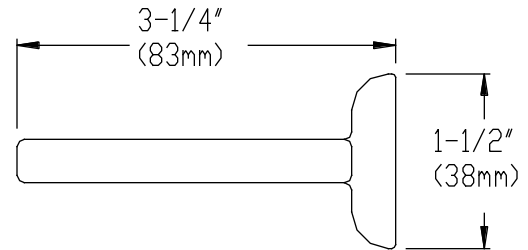
AMERICAN SPECIALTIES, INC.
 441 Saw Mill River Road, Yonkers, NY 10701 (914) 476-9000

MODEL No:	0720-Z
ISSUED:	1-87
REVISED:	9-96

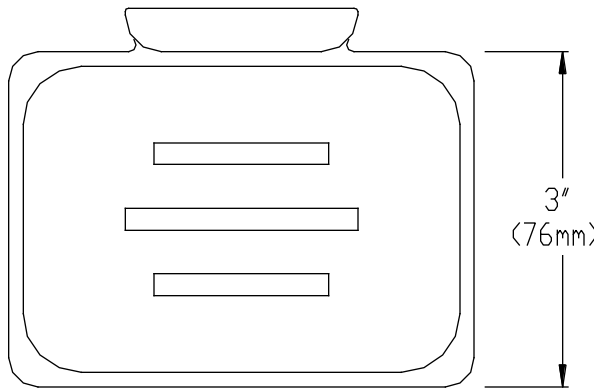
SURFACE MOUNTED SOAP DISH WITH DRAIN



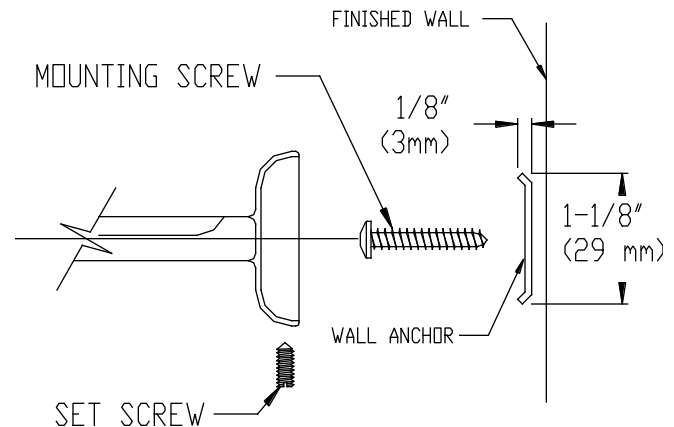
FRONT VIEW



SIDE VIEW



TOP VIEW



MOUNTING DETAIL

SPECIFICATION

Surface Mounted Soap Dish with Drain shall be fabricated of triple chrome plated rust proof Zamak. One stainless steel hex socket set screw shall be provided along perimeter of flange for anchoring to stainless steel adjustable wall bracket. Mounting hardware shall be provided. Unit shall meet appropriate FHA and other federal specifications.

Surface Mounted Soap Dish with Drain shall be Model N° 0720-Z as fabricated by American Specialties Inc., 441 Saw Mill River Road Yonkers, New York 10701-4913

INSTALLATION

Wall bracket is surface mounted using self tapping screws (supplied) through holes provided. Soap dish is mounted over top leg of bracket and secured by set screw from underside. Suggested location is 52" (1321mm) above finished floor (AFF) to centerline of wall bracket or 6" (152mm) above wash basin.

Accessory Specialties

AMERICAN DISPENSER

Desert Ray Products

WATROUS INC.