



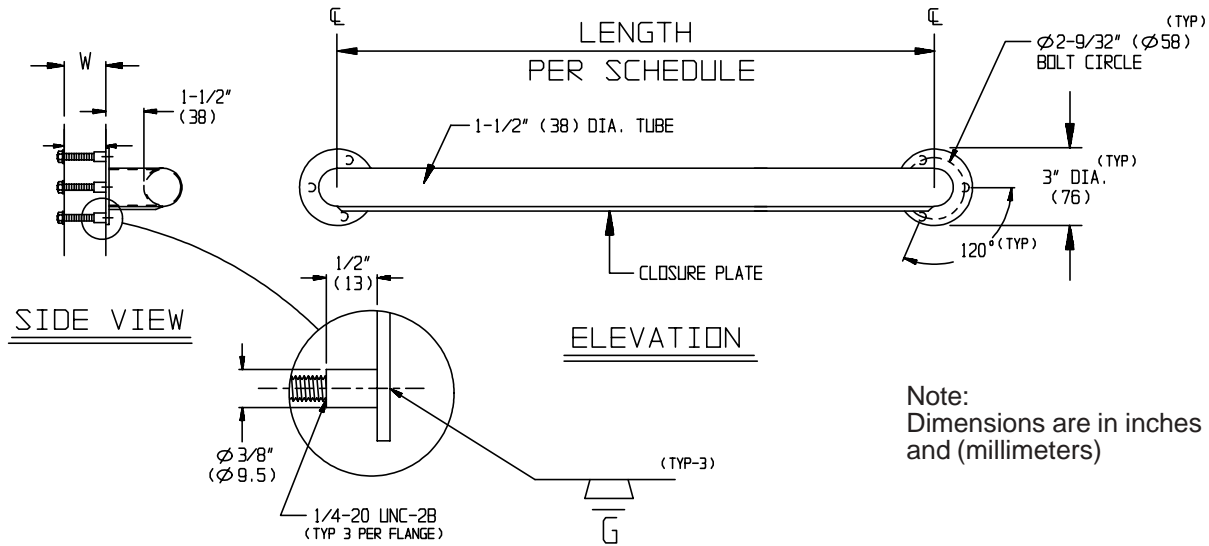
**AMERICAN SPECIALTIES, INC.**

MODEL No: 160/161/163  
166/168

ISSUED: 2-87

REVISED: 7-07

**SECURITY GRAB BAR (REAR MOUNTED)**



Note:  
Dimensions are in inches  
and (millimeters)

Schedule of Availability					
Model N <sup>o</sup>	Length	Model N <sup>o</sup>	Length	Model N <sup>o</sup>	Length
160	24" (610)	163	36" (914)	168	48" (1219)
161	30" (762)	166	42" (1067)		

**W = WALL THICKNESS MUST BE SPECIFIED TO SELECT CORRECT LENGTH THREADED RODS**

**SPECIFICATION**

Security Grab Bar (Rear Mounted) shall be fabricated of alloy 18-8 stainless steel, type 304. All exposed surfaces shall have N<sup>o</sup> 4 satin finish. Flanges shall be 1/8" (3) thick and shall be completely welded to tube end. Tubing shall be 1-1/2" diameter (Ø38.1) with 18 gauge (0.048" (1.2) thick) wall. Each flange shall have three (3) welded-on 1/4-20-UNC-2B internally threaded studs with threaded rod length specified at time of order to suit wall thickness and shall be provided with three (3) each washers and nuts for mounting. Closure plate welded on bottom shall be 12 gauge (0.105" (2.7) thick) stainless steel type 304 alloy 18-8 and shall fit closely to flanges and a straight line between rear face mounting surface of flanges.

**Security Grab Bar (Rear Mounted) shall be Model N<sup>o</sup> 160/161/163/166/168-**

**INSTALLATION**

For compliance with ADA Accessibility Guidelines, install unit so that top of the grab bar is 33" (840) minimum above finished floor (AFF) to 36" (915) maximum AFF. Surface mount unit to finished wall through six (6) pre-drilled openings (by others) and secure unit to wall with washers and nuts (supplied) or other continuous anchor/backer material (by others) to suit local codes and wall conditions. The length of the threaded rods is determined by the thickness of the wall on which the unit is mounted. Specify the thickness of the wall in the charted increments below (e.g. 163-68).

**STRENGTH**

ASI grab bars are designed to meet and exceed ADAAG requirements as published in ICC/ANSI A117.1-2003 and CFR 28 Part 36, revised as of 1 July 1994, that fabricated product shall be of adequate strength to support a load of 250 pounds (113.4 kg). Mounting to the wall is a critical part of the system to meet this requirement. To withstand the shear, tension or pullout and torsion loads generated by the maximum loading, the fastener system must be adequately sized. The product is capable of holding in excess of 1350 lbs (612.4 kg) when properly installed.

Threaded Rod Length Selection Determined By Wall Thickness					
Wall Thickness	Suffix	Wall Thickness	Suffix	Wall Thickness	Suffix
Less than 6" (152)	LT6	6" to 8" (152 to 203)	68	Over 8 "(203), specify thickness: _____	GT8 = xxx

Accessory Specialties

AMERICAN DISPENSER

Desert Ray Products

WATROUS INC.