



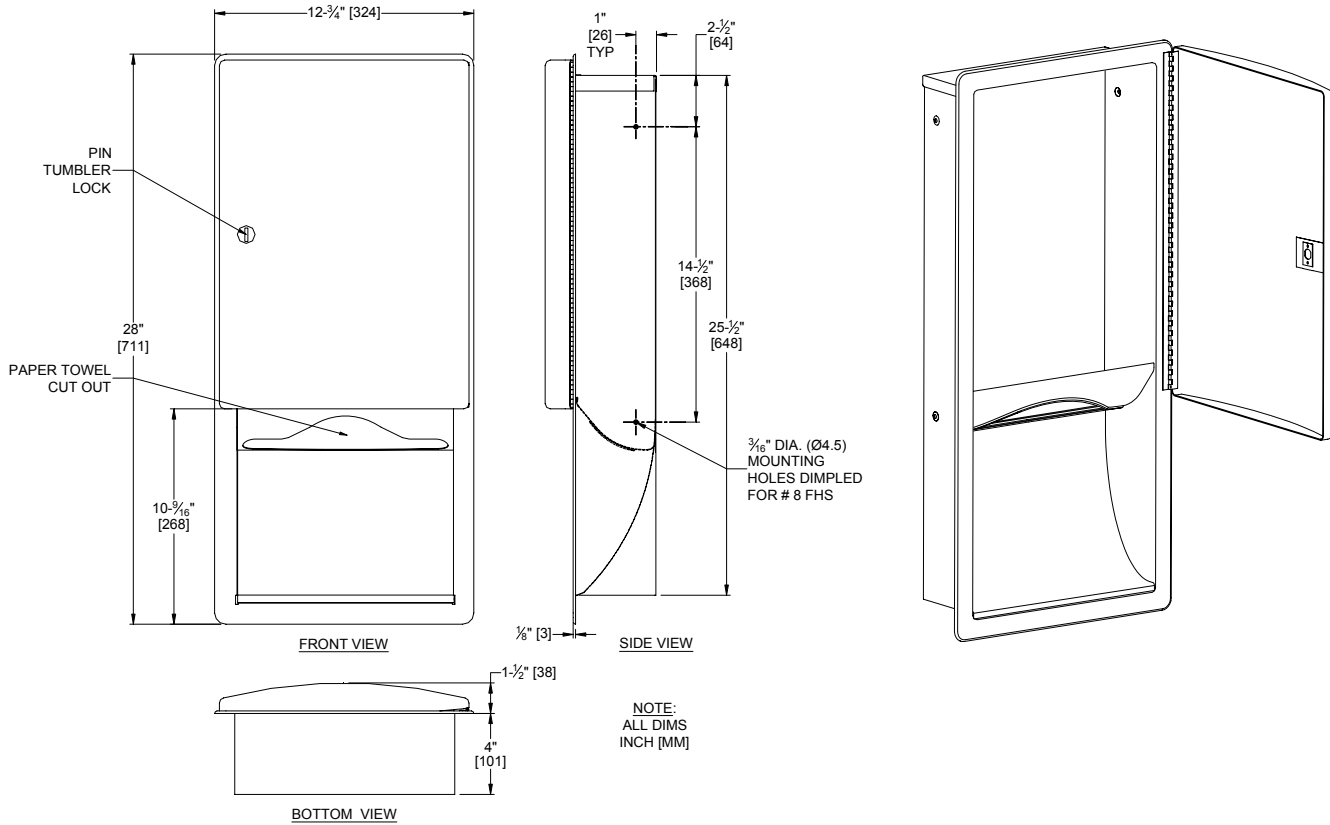
AMERICAN SPECIALTIES, INC.
 441 Saw Mill River Road, NY 10701 (914) 476-9000
 www.americanspecialties.com

MODEL №: 20452

ISSUED: 08/09

REVISED:

ROVAL™ RECESS MOUNTED PAPER TOWEL DISPENSER



SPECIFICATION

Royal™ Collection Recess Mounted Paper Towel Dispenser shall hold and dispense 800 standard multi-fold or 600 standard C-fold paper towels. Cabinet full door shall be drawn seamless and shall have bowed front face and gently radiused edges to provide added strength and complimentary appearance for modern washroom aesthetics. Door shall be 18 gauge type 304 stainless steel alloy 18-8. Towel dispenser, frame and cabinet shall be 22 gauge type 304 stainless steel alloy 18-8. All exposed surfaces shall have a satin finish and shall be protected during shipment with PVC film easily removable after installation. Towel dispensing slot shall have a fully hemmed-in rolled edge for snag-free dispensing and user safety. Dispenser door shall be attached to cabinet at side with a full-length 9/64" diameter (Ø3.5) heavy-duty stainless steel multi-staked piano hinge and shall be held closed with a flush rimless tumbler lock keyed alike to other ASI washroom equipment. Face trim shall be 1-1/16" (27) wide formed from one piece with no miters, welding or open seams and have 1/8" (3) radiused return to wall. Structural assembly of body and door components shall be of welded construction.

Royal™ Collection Recess Mounted Paper Towel Dispenser shall be Model № 20452 of American Specialties, Inc., 441 Saw Mill River Road, Yonkers, New York 10701-4913

INSTALLATION

Recess mount unit in wall using four (4) № 8 self-tapping flat head screws (by others) through concealed mounting holes provided. For compliance with ADA Accessibility Guidelines, install unit so that towel dispenser slot is 48" (1219) maximum above finished floor (AFF) if clear floor reach access is provided.

Rough Wall Opening (RWO) required is 11-1/4" W x 26-7/16" H x 3-15/16" D (286 x 672x 100)

OPERATION

Towels are self-feeding upon user manual demand until supply is depleted. Unit may be reloaded with a partial load in-place and will continue to feed properly. Towels are replenished manually on a cycle determined by maintenance needs. Locked door prevents unauthorized access or removal.