



**AMERICAN SPECIALTIES, INC.**

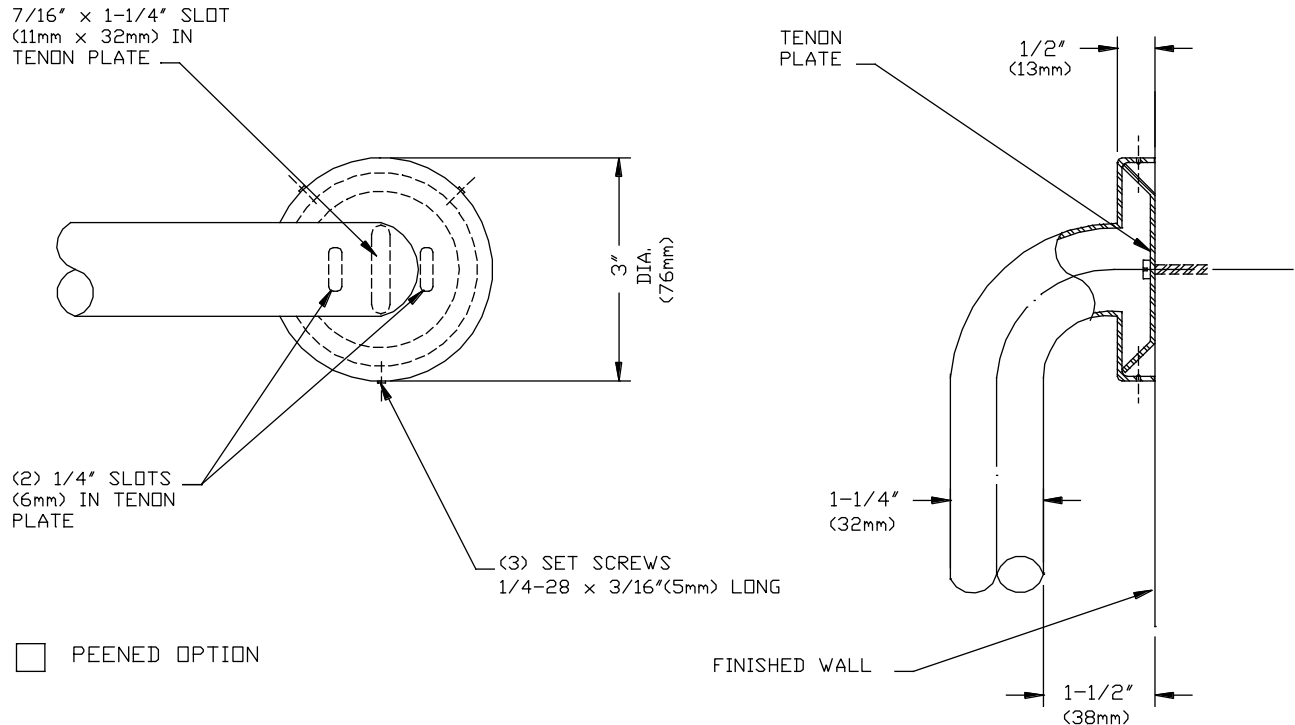
441 Saw Mill River Road, Yonkers, NY 10701 (914) 476-9000

MODEL No: 3100

ISSUED: 1-87

REVISED: 7-99

**GRAB BAR (1-1/4" DIA.) SERIES WITH FLANGES FOR CONCEALED MOUNTING**



**SPECIFICATION**

Grab Bar with Flanges for Concealed Mounting shall be fabricated of 18-8 stainless steel, type 304; tubing shall be 1-1/4" (32mm) dia. x 18 gauge (1.2mm). Flanges shall be heliarc welded to tubing with a continuous concealed bead and shall be 11 gauge (3mm). Three (3) tamper resistant 1/4-28 stainless steel hex socket set screws shall be supplied for each flange. Mounting tenon plates shall be fabricated of case hardened cadmium plated 13 gauge (2.3mm) steel. All exposed surfaces of bar shall have N#4 satin finish and be protected during shipment with a plastic bag. For non-slip surface add suffix -P (peened).

**Grab Bar (1-1/4" dia.) with Flanges for Concealed Mounting shall be Series 3100 as manufactured by American Specialties, Inc., 441 Saw Mill River Road, Yonkers, New York 10701- 4913**

**STRENGTH**

ASI Grab Bars are designed to meet and exceed ADA requirements as published in CABO/ANSI A117.1-1992 and CFR 28 Part 36, Federal Register Vol. 56 No. 144, 26 July 1991, section 4.21.3 and section 4.26.3, that fabricated product shall be of adequate strength to support a load of 250 pounds (113.4kg). Mounting to the wall is a critical part of the system to meet this requirement. To withstand the shear, tension or pull-out, and torsion loads generated by the maximum loading, the fastener system must be adequately sized.

**INSTALLATION**

Tenon plates are secured to wall with a 1/4" bolt (by others) through an elongated slot that provides 1" (25mm) vertical range and 3/16" (5mm) horizontal range for fitting adjustment. Flanges are then fitted over tenon plates and secured by tightening the hex socket set screws (provided). For compliance with ADA Accessibility Guidelines unit should be installed so that the center line of the grab bar is 33" (840mm) minimum above finished floor (AFF) to 36" (915mm) maximum AFF. Appropriate anchoring and backing must be provided in accordance with local building codes or as specified prior to wall finishing. Anchors are available from ASI and must be specified separately (see 3900 series).

Accessory Specialties

AMERICAN DISPENSER

Desert Ray Products

WATROUS INC.