



AMERICAN SPECIALTIES, INC.

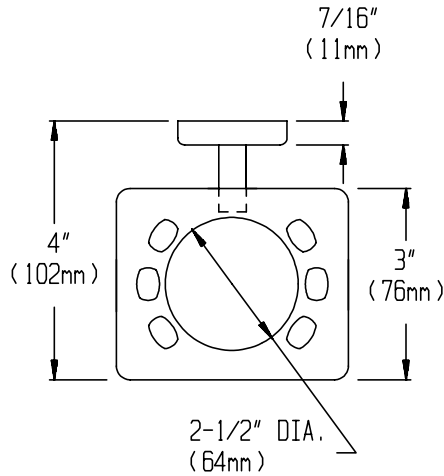
441 Saw Mill River Road, Yonkers, NY 10701 (914) 476-9000

MODEL No: 7335

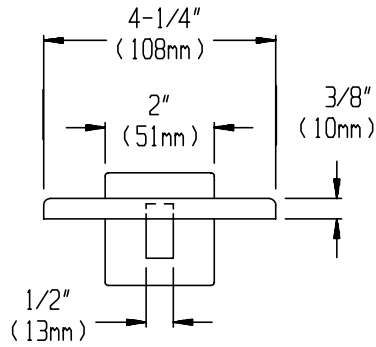
ISSUED: 1-87

REVISED: 9-04

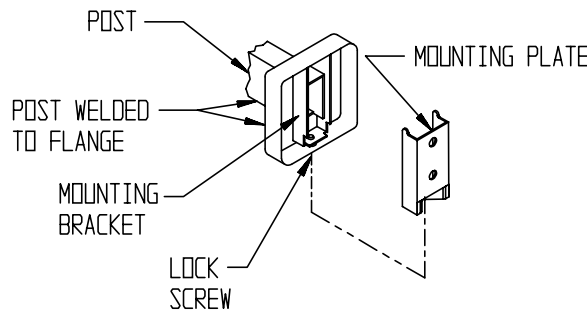
TUMBLER AND TOOTHBRUSH HOLDER



TOP VIEW



FRONT VIEW



CONCEALED MOUNTING DETAIL

SPECIFICATION

Tumbler and Toothbrush Holder shall be fabricated of alloy 18-8 stainless steel type 304. Holder tray shall be of drawn seamless construction with a 2- 1/2" (64mm) dia. hole to hold a tumbler and slots to hold six (6) standard toothbrushes. Support post shall be 1" x 1/2" (25mm x 13mm) rectangular tubing with formed mounting flange and bracket welded on end. Wall mounting plate shall be included. A stainless steel set screw shall be provided on bottom perimeter of flange to lock unit to mounting plate. Mounting hardware shall be provided. Surface finish shall be bright or satin as chosen by option.

Tumbler and Toothbrush Holder unit shall be Model N°7335-B or (N°7335-S) of American Specialties, Inc., 441 Saw Mill River Road, Yonkers, New York 10701-4913

INSTALLATION

Surface mount unit to wall, using N° 10 self-tapping screws (by others). Hang flange and post assembly on mounting plate, and tighten set screws supplied to lock unit to plate. For compliance with ADA Accessibility Guidelines, install unit with top of holder 54" (1372mm) maximum above finished floor (AFF) if clear floor side reach access is provided or 48" (1219mm) max. AFF if clear floor forward reach access is provided or 46" (1168mm) max. AFF if side reach over an obstruction (e.g. vanity) is only provided. For general utility mount unit with top of holder tray 8" to 12" (203mm to 305mm) above vanity basin.

OPERATION

Tumbler hole will accommodate a standard tumbler that tapers to less than 2-1/4" (57mm) dia. at bottom, or a straight tumbler of 2-1/8" (54mm) dia. with a rim larger than 2-1/2" (64mm) dia. Toothbrush holder accommodates up to six (6) toothbrushes.

Accessory Specialties

AMERICAN DISPENSER

Desert Ray Products

WATROUS INC.