



**AMERICAN SPECIALTIES, INC.**

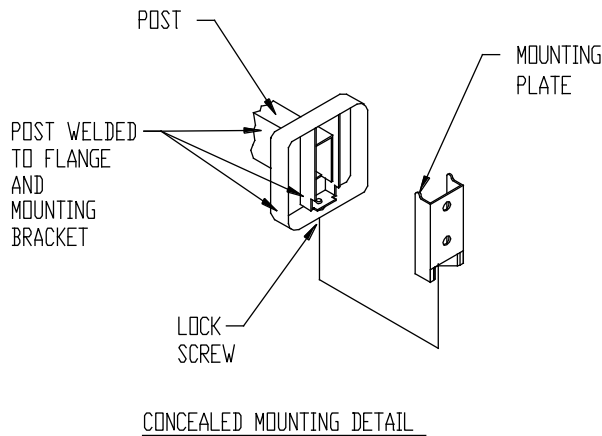
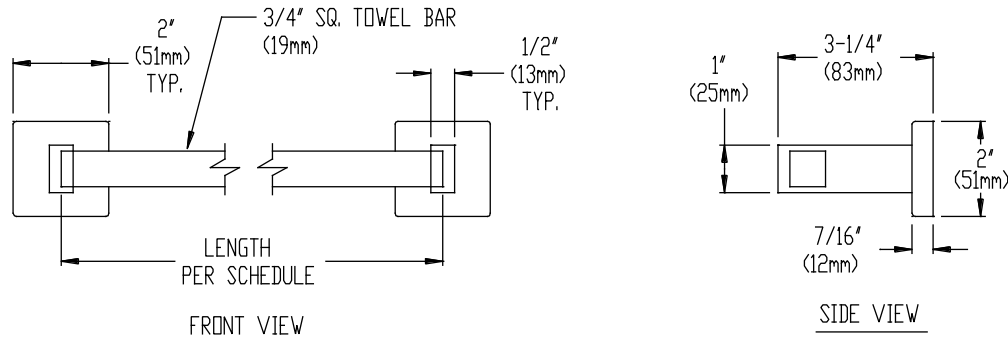
441 Saw Mill River Road, Yonkers, NY 10701 (914) 476-9000

MODEL No: 7360

ISSUED: 1-87

REVISED: 6-98

**SQUARE TOWEL BAR**



**STANDARD STOCK SIZES**

LENGTH	MODEL N <sup>o</sup>	
	Bright	Satin
18" (457mm)	7360-B18	7360-S18
24" (610mm)	7360-B24	7360-S24
30" (762mm)	7360-B30	7360-S30

**SPECIFICATION**

Square Towel Bar shall be fabricated of 18-8 stainless steel type 304. Bar shall be 3/4" (19mm) square tubing. Support posts shall be 1/2" x 1" (13mm x 25mm) rectangular tubing, with formed mounting-flanges welded on ends. A stainless steel set screw shall be provided on bottom perimeter of flange to lock unit to mounting plate. Mounting plates and screws shall be provided. Surface finish shall be S = satin or B = bright as indicated by code suffix. Length shall be as chosen from schedule and indicated by code suffix.

Square Towel Bar shall be Model N<sup>o</sup> (7360-B\_\_\_ or 7360-S\_\_\_) of American Specialties, Inc., 441 Saw Mill River Road, Yonkers, NY 10701-4913

**INSTALLATION**

Surface mount unit on wall, using four (4) N<sup>o</sup>10 self tapping screws (supplied), through holes provided in mounting plates. Hang post and flange assemblies on mounting plates with bar captured and tighten set screws to lock unit to plates. For compliance with ADA Accessibility Guidelines, install unit with top of bar 54" (1372mm) maximum above finished floor (AFF) if clear floor side reach access is provided or 48" (1219mm) max. AFF if clear floor forward reach access is provided or 46" (1168mm) max. AFF if side reach over an obstruction (e.g. vanity) is only provided.

Accessory Specialties

AMERICAN DISPENSER

Desert Ray Products

WATROUS INC.