



AMERICAN SPECIALTIES, INC.

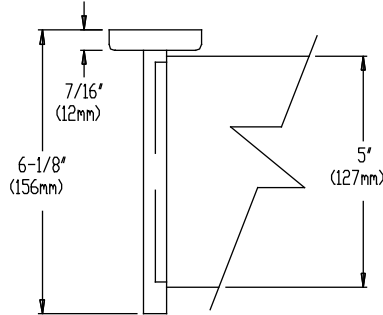
441 Saw Mill River Road, Yonkers, NY 10701 (914) 476-9000

MODEL No: 7380

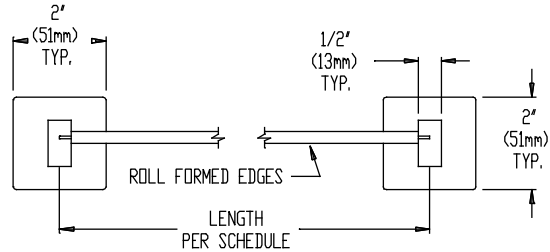
ISSUED: 1-87

REVISED: 3-99

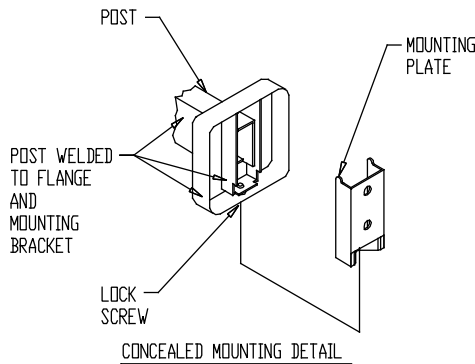
TOWEL SHELF



TOP VIEW



FRONT VIEW



STANDARD STOCK SIZES

LENGTH	MODEL N ^o	
	Bright	Satin
18" (457mm)	7380-B18	7380-S18
24" (610mm)	7380-B24	7380-S24

SPECIFICATION

Towel Shelf shall be fabricated of 18-8 stainless steel, type 304. Shelf shall be fabricated with roll formed edges. Support posts shall be fabricated of 1/2" x 1" (13mm x 25mm) rectangular tubing and shall have formed mounting flanges and brackets welded to ends. Mounting plates shall be included. A stainless steel set screw shall be provided on bottom perimeter of flanges to lock unit to mounting brackets. Mounting screws shall be provided. Surface finish shall be (bright or satin).

Towel Shelf shall be Model N^o(7380-B ___ or 7380-S ___) of American Specialties, Inc., 441 Saw Mill River Road, Yonkers, NY 10701-4913

INSTALLATION

Surface mount unit on wall using four (4) N^o10 self tapping screws (supplied) through holes in mounting plates. Hang post and flange assemblies on mounting plates with shelf captured and tighten set screw to lock unit to plates. For compliance with ADA Accessibility Guidelines install unit with shelf top 54" (1372mm) maximum above finished floor (AFF) if clear floor side reach access is provided or 48" (1219mm) max. AFF if clear floor forward reach access is provided or 46" (1168mm) max. AFF if side reach over an obstruction (e.g. vanity) is only provided.

Accessory Specialties

AMERICAN DISPENSER

Desert Ray Products

WATROUS INC.