



AMERICAN SPECIALTIES, INC.

441 Saw Mill River Road, Yonkers, NY 10701 (914) 476-9000

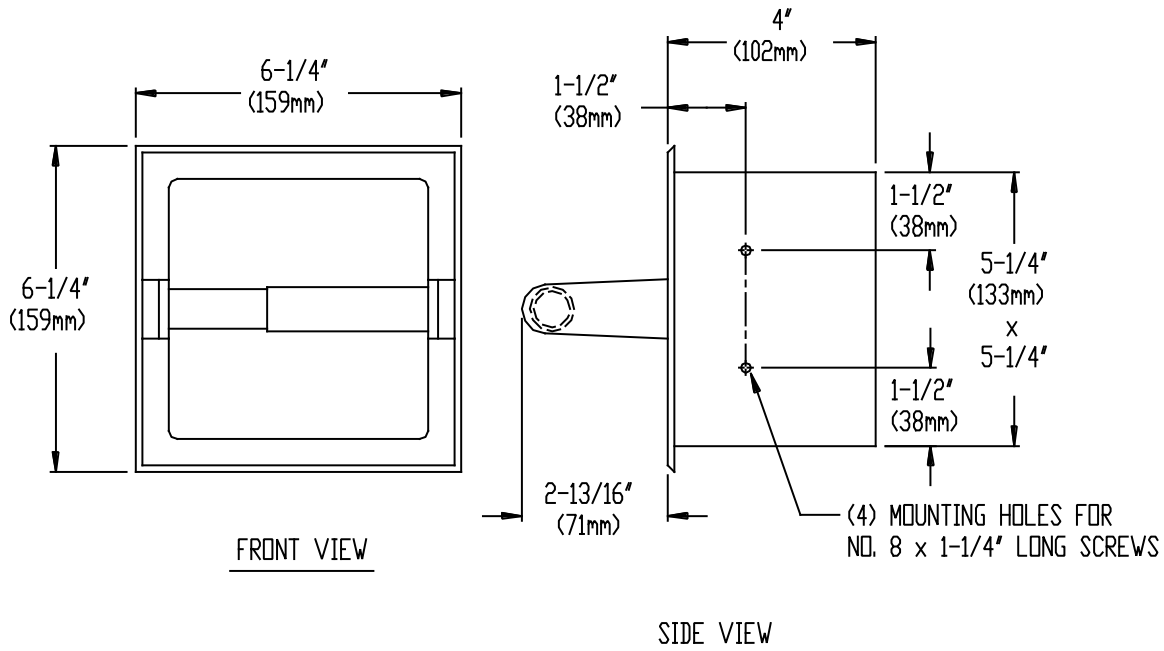
MODEL No: 7403

ISSUED: 1-87

REVISED: 6-98

RECESSED EXTRA ROLL TOILET PAPER HOLDER

- Specify Model Required Model 7403-B Bright Polished Stainless Steel
 Model 7403-S Satin Finished Stainless Steel



SPECIFICATION

Recessed Extra Roll Toilet Paper Holder shall hold two (2) rolls and dispense (1) roll of standard core roll toilet tissue up to 5-1/8" (130mm) dia. Unit shall have frame and recessed box fabricated of 18-8 stainless steel type 304; box shall hold one (1) extra toilet paper roll in reserve. Posts shall be rust proof Zamac. Roller shall be fabricated of chrome plated, high impact resistant ABS plastic and shall be spring loaded. All exposed surfaces shall have a (bright or satin) finish.

Recessed Extra Roll Toilet Paper Holder shall be Model N^o(7403-B or 7403-S) of American Specialties, Inc., 441 Saw Mill River Road, Yonkers, New York 10701- 4913

INSTALLATION

Unit is mounted in wall recess using N^o10 self tapping screws (supplied). For compliance with ADA Accessibility Guidelines, unit should be installed with centerline of roller 19" (483mm) min. AFF to 44" (1118mm) max. AFF and forward edge of roll no further than 36" (914mm) from back wall behind commode.

Rough Wall Opening (RWO) required is5-1/2"W x 5-1/2"H x 4"D (140mm x 140mm x 102mm)

OPERATION

Spindle revolves freely. Reserve roll is protected from access until in-use roll is completely exhausted. Spring loaded spindle holds roll until core is removed. Reserve roll is replaced by service staff on a cycle determined by maintenance needs.

Accessory Specialties

AMERICAN DISPENSER

Desert Ray Products

WATROUS INC.