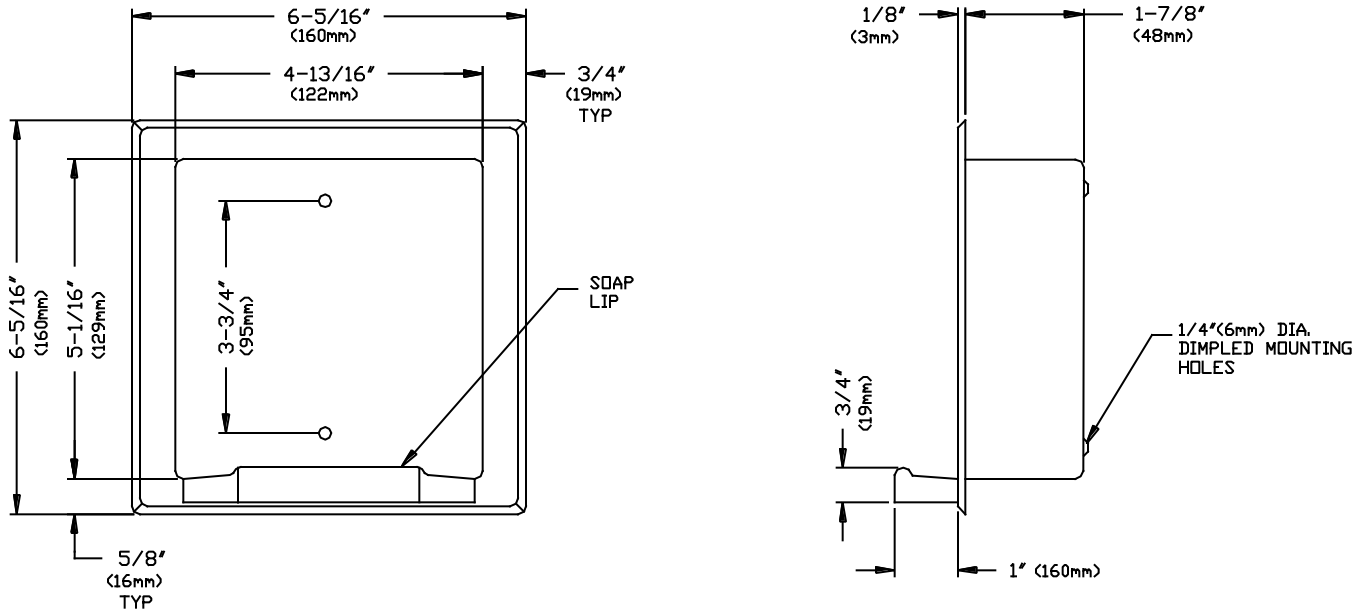




AMERICAN SPECIALTIES, INC.
 441 Saw Mill River Road, Yonkers, NY 10701 (914) 476-9000

MODEL No: 7404
 ISSUED: 1-87
 REVISED: 9-96

STAINLESS STEEL SOAP HOLDER



SPECIFICATION

Recessed Mounted Soap Holder shall be fabricated of alloy 18-8 stainless steel, type 304, N^o22 gauge, of one piece construction, drawn and seamless. Back shell shall have two (2) perforated lugs for wet wall anchoring or two (2) dimple holes for dry wall installation as chosen by option. A stainless steel raised lip shall be provided to prevent soap from slipping out of holder. All exposed surfaces shall be bright or satin finish as chosen by option.

Recessed Mounted Soap Holder shall be Model N^o 7404-SW (or N^o7404-SD or N^o7404-BW or N^o7404-BD) as fabricated by American Specialties, Inc. 441 Saw Mill River Road, Yonkers, New York 10701- 4913

INSTALLATION

For compliance with ADA Accessibility Guidelines the unit should be installed so that the top of the soap shelf is 48" (1219mm) maximum above finished floor (AFF) in showers or over vanity basins and 36" (915mm) maximum (AFF) in bathtubs. For general utility mount unit so that top of shelf is 52" (1321mm) AFF or 6" (152mm) above basin. If option -D mounting is chosen then specify dry wall clamp model N^o39 separately.

Wet wall installation: Apply grout to back of unit and on perforated lugs and push unit into opening. Set flanges flush with face of finished wall.

Dry wall installation: Fasten unit to wall opening with (2) two N^o10 self tapping screws (supplied) through dimpled holes at the back of shell, or use dry wall clamp model N^o39.

Rough Wall Opening (RWO) required is 5-1/2"W x 5-1/2"H x 2"D (140mm x 140mm x 51mm).

OPTIONS AVAILABLE

Optional finish and mounting style must be specified as either bright or satin and wet or dry wall. Specify finish and mounting by adding code suffixes to model number (i.e. 7404-SD or 7404-SW or 7404-BD or 7404-BW).

Option -S = Satin	Option -B = Bright polished finish
Option -W = Wet wall installation	Option -D = Dry wall installation

Accessory Specialties

AMERICAN DISPENSER

Desert Ray Products

WATROUS INC.