



Model 5847 — Recessed *Bradex*[®]

- 500 Capacity
- Contemporary Series — Satin Finish

Product Materials

CABINET: 22 gauge stainless steel with exposed surfaces in architectural satin finish. Welded construction with burr-free edges.
DOOR: 18 gauge stainless steel; ½" return for maximum rigidity. Concealed full length stainless steel piano hinge and tumbler lock keyed like other Bradley units.

Capacity

500 standard single-fold or half-fold toilet seat covers.

Operation

Cabinet accepts standard package of 500 seat covers.

Installation

Verify all rough-in dimensions prior to installation. Requires rough wall opening 15½"W x 11¼"H x 2¾"D. Secure to framing with mounting screws (included) at holes provided. Shim at screw points as required.

Guide Specification

Recessed seat cover dispenser shall be fabricated of stainless steel with exposed surfaces in satin finish. Cabinet door of 18 gauge stainless steel and secured by tumbler lock.

Overall dimensions: 17½"W x 13"H x 3¼"D.



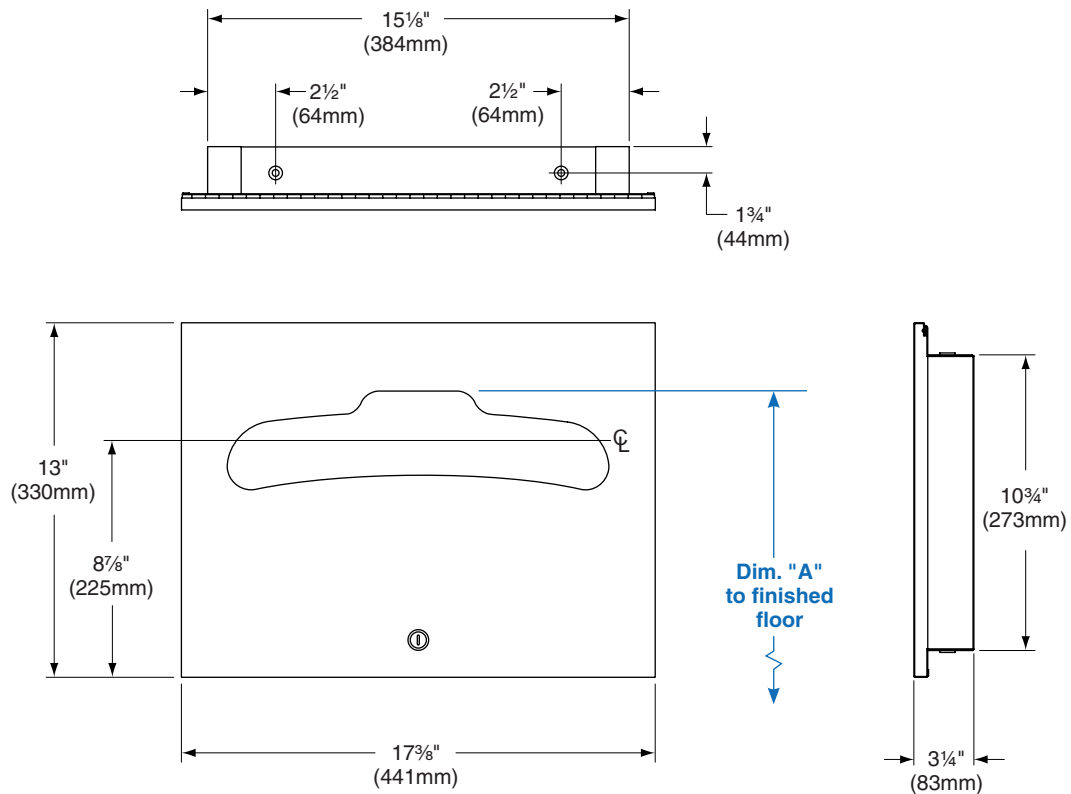
 **ADA Compliant**

- Consult local and national accessibility codes for proper installation guidelines.
- Conformity and compliance to local and national codes is the responsibility of the installer.

Orders composed of products indicated as **Bradex**[®] will be available to ship in three days after receipt of order at the factory. There is no pricing penalty for this service from Bradley.



Dimensions



Dim. "A" Key Surface:	For Dim. "A"	Top of Rough Wall Opening	Bottom of Rough Wall Opening
Top of seat cover opening to finished floor	48" (1219mm)	49 1/2" (1257mm)	38 1/4" (972mm)
	45" (1143mm)	46 1/2" (1181mm)	35 1/4" (895mm)
	42" (1067mm)	43 1/2" (1105mm)	32 1/4" (819mm)
	40" (1016mm)	41 1/2" (1054mm)	30 1/4" (768mm)
Rough wall opening:			
Recessed:	15 5/8" (397mm) Wide x 11 1/4" (286mm) High x 2 3/4" (70mm) Deep		

Orders composed of products indicated as **Bradex**® will be available to ship in three days after receipt of order at the factory. There is no pricing penalty for this service from Bradley.