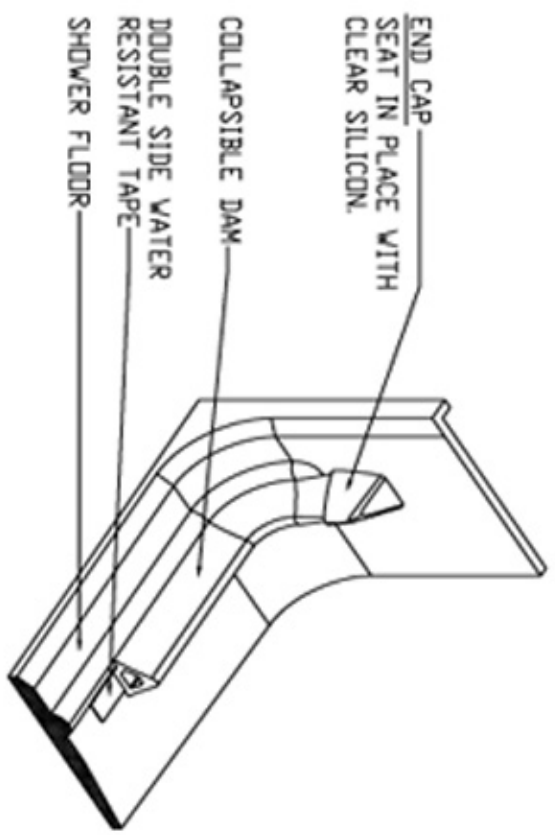


6 5 4 3 2 1

A

A



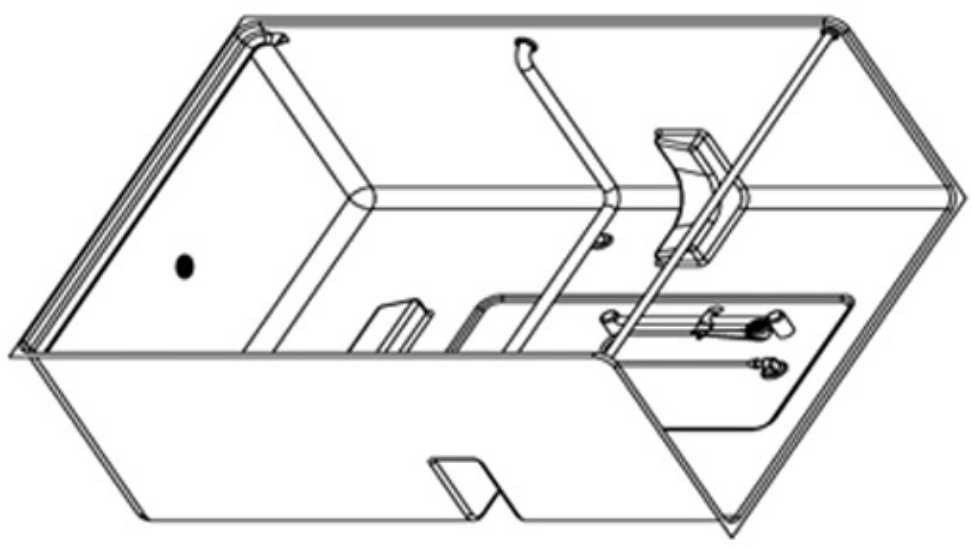
COLLAPSIBLE DAM
WITH END CAP

THIS DRAWING IS NOT TO SCALE.
FOR ILLUSTRATION ONLY.

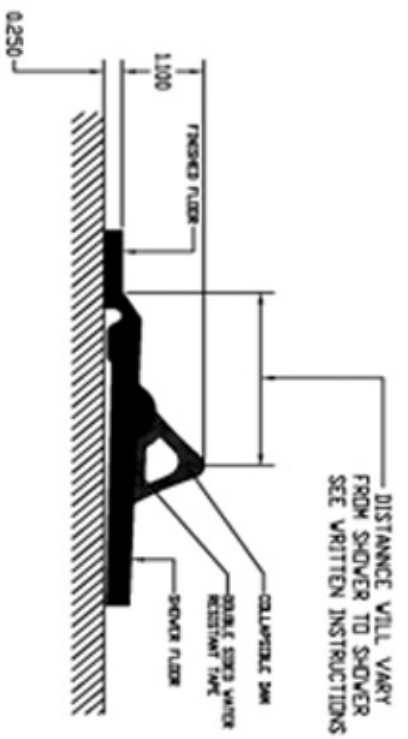
NOTES

1. DO NOT SCALE FROM THIS DRAWING.
2. REFER TO PROVIDED SAMPLE FOR AESTHETIC DESIGN.
3. MANUFACTURE TO REPORT ANY DESIGN DISCREPANCY BETWEEN PROVIDED SAMPLE AND DESIGN DRAWINGS.

NOTE!
THESE DRAWINGS ARE FOR
REFERENCE ONLY.



COLLAPSIBLE SHOWER DAM
WITH END CAPS
ISOMETRIC VIEW



COLLAPSIBLE DAM
AT THRESHOLD

THIS DRAWING IS NOT TO SCALE.
FOR ILLUSTRATION ONLY.

REV	DATE	DESCRIPTION

20				
19				
18				
17				
16				
15				
14				
13				
12				
11				
10				
9				
8				
7				
6				
5				
4				
3				
2				
1				
ITEM NO.	DESCRIPTION	QUANTITY/PER UNIT	UOM	REV. NO.
LIST OF MATERIAL / PARTS LIST				

**COLLAPSIBLE SHOWER DAM
WITH END CAPS**

DRAWING NO. 02-21-000
 REV. 1.0