

LL-2200 Series

# Corner Shelf

Stainless steel screws for wood backing & 4 hollow wall togglers included with every bar!

Corner  
Shelf  
Grab Bar

## Application Use:

Architectural

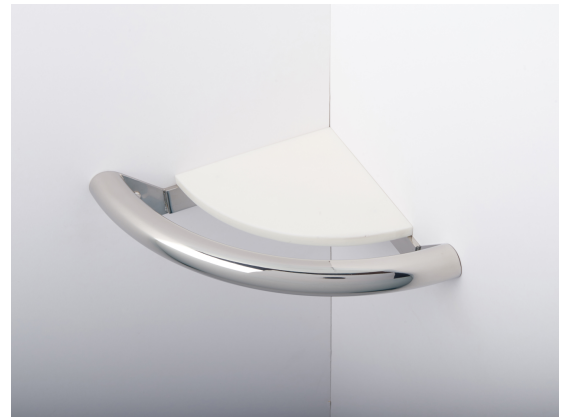
Commercial

Institutional

Residential

## Specifications

The Corner Shelf Grab Bar is manufactured using high quality 18 gauge 1.25" diameter 304 stainless steel. 4 Convenient mounting holes allow for easy installation and preserving the clean finished look. 4 hollow wall togglers included with every bar. The Life Line Collection has been designed, built, and tested to 500lbs exceeding HUD, FHA, VA, ADA, ANSI and other federal, provincial, and local codes. \*Grab Bars can only be as strong as what they are mounted to. It is imperative when installing any safety product to consult with a qualified contractor to insure you have sufficient backing.



## The Life Line Collection

All Corner Shelf Grab Bars ship complete with easy to follow instructions, mounting hardware for stud framing & hollow walls. The Life Line Collection has been designed, built and tested to 500lbs. The Corner Shelf Grab Bar comes in 5 standard finishes.

LL-2200SS SATIN FINISH STAINLESS STEEL

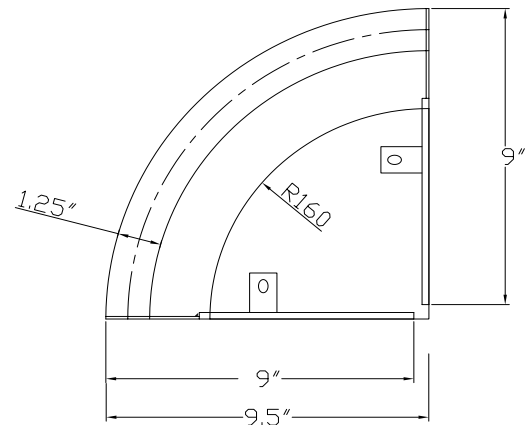
LL-2200PC POLISHED CHROME

LL-2200BN BRUSHED NICKEL

LL-2200ORB OIL RUBBED BRONZE

LL-2200WH WHITE POWDER COATING

*Custom Finishes Available Upon Request*



Dimension tolerances +/- 3/16"