



# LIFELINE - Contour Shower Seat Installation Guide

## SAFETY CAUTION

- Due to variances in local building codes and requirements, the installation instructions provided are only suggestions and it is advised that you contact a qualified contractor for application specific advice.
- This seat is intended for sitting purposes only. **ONE PERSON** at a time.  
Do not attempt to stand, kneel or use the seat for any other application other than sitting.
- The seat is designed to withstand 500lbs when installed properly. Improper installation may cause bodily harm.
- Discontinue use of the seat if visual signs of fatigue or wear become evident. Regular inspections should be made to confirm that the seat is not pulling away from the wall. If the wall brackets start to pull away from the wall **IMMEDIATELY** discontinue use and call a qualified contractor.

## IMPORTANT (for 18" & 26" seats)

It is important that you give serious consideration as to the location of your Contour shower seat. We recommend advice from a healthcare professional and or a qualified contractor.

Contour seats require in wall backing between wall studs.

- The 18" Contour seat mounts at 16" on center so this model can be attached directly to wall studs that are 16" on center. The rear teakwood/walnut slats on the Contour seats can be removed in order to clean the back wall when necessary.
- Simple cleaning with a damp cloth is all that's required to keep your Contour seat looking new.
- Again we recommend a qualified tradesman/contractor if you have any doubts about a safe and secure install.

## Installation Instructions

---

### Fold Up Shower Seat (for 18" & 26" seats)

The 18" seat can be installed directly into wood studs that are 16" on center.

The 26" seat will require additional in wall wood backing.

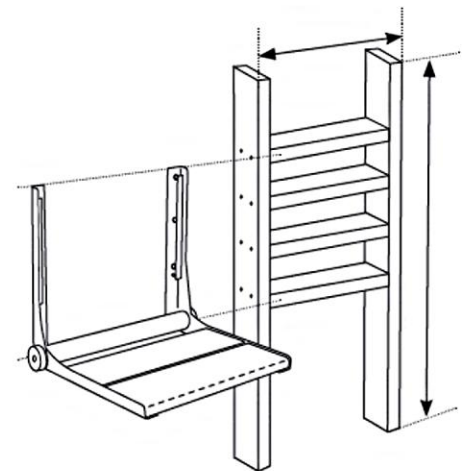
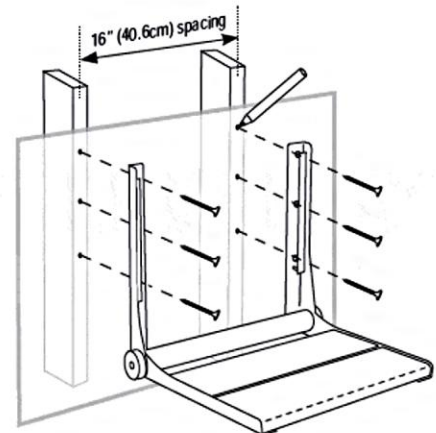
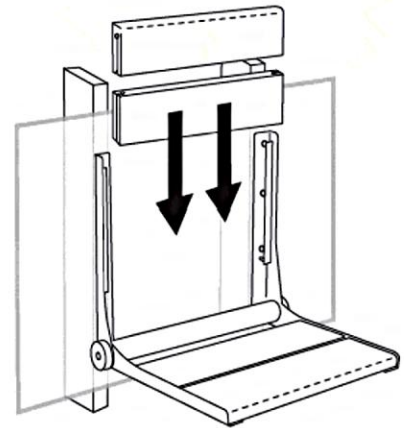
- place a drop cloth, plastic or other material down in front of the area where you will be installing your Contour Seat.
- Remove the rear slats and place the Contour seat on the wall in your desired location. Be sure to make sure that the seat is level.
- With a pencil mark the mounting holes and remove seat from wall.
- If drilling into tile make sure you mark your mounting points with a center punch.
- Drill the mounting holes using a ceramic or masonry drill bit.
- Place your Contour seat back onto the wall and attach with stainless steel screws (provided)
- After the seat has been attached double check that its level, also make sure that the two mounting arms are parallel to each other and not flared in or out. Parallel mounting arms will allow the rear slats to be put back in place.
- Replace the back slats.
- Now its time for your visual inspection as well as testing the seats strength by pushing down on the seating area as well as performing an actual sitting test.

> Continue on back side

> Continued from front side

## Contour Seat in Wall Reinforcement

- Find the best position to mount your Contour seat on the wall and mark the seat height location on the wall for future reference.
- ADA requirements are that the useable seat surface should be 17" to 19" from the finished floor.
- Find the existing wall studs and cut the wall board, sheetrock, drywall in order to expose the wall studs.
- Make sure that you cut the opening only to expose 1/2 of the wall studs so that a drywall patch can be re-attached with ease.
- We now suggest that you block the wall between the studs with additional suitable wood in order to create a support frame. The width of the support frame should be either the distance between the (2) 16" on center studs for the 18" Contour Seat or the distance between (3) 16" on center studs for the 26" Contour seat. The height of the frame should be between 20" – 36".....make sure that the wood frame is attached well to the wood studs. We suggest woodscrews as well as wood glue.
- When the woodframe is attached cover the drywall/sheetrock back up with a patch. Finish wall as required.
- Attach LIFELINE – Contour Seat as described in Mounting Instructions



## Tools Required (not included)

- Drill - Electric or Cordless
- 1/4" Drill Bit
- 24" Level
- Tape Measure
- Pencil
- Punch (for ceramic tile installation)

**Note: Always check your local building code**