



GRAB BAR SPECIALISTS



Toll Free: 1-866-585-0399

sales@grabbarspecialists.com

www.grabbarspecialists.com

Toilet Paper Semisphere Grab Bar

LL – 2020 Series

Stainless steel screws for wood backing and 4 hollow wall togglers included with every bar!

**Wingit Compatible (wingits sold separately)*

Toilet Paper Semisphere Grab Bar

Application Use:



Specifications

The Toilet Paper Semisphere Grab Bar is manufactured using high quality 18 gauge 1.25" diameter 304 stainless steel. Convenient mounting flange post with set screws allow for easy flange access during installation yet preserving the clean finished look of the concealed flange cover. Using a wingit compatible flange base and 5 optional screw hole ports makes locating on a stud or hollow wall even easier than ever. 4 hollow wall togglers included with every bar. The Life Line Collection has been designed, built, and tested to 500lbs exceeding HUD, FHA, VA, ADA, ANSI and other federal, provincial, and local codes. *Grab Bars can only be as strong as what they are mounted to. It is imperative when installing any safety product to consult with a qualified contractor to insure you have the sufficient backing to support the seat.



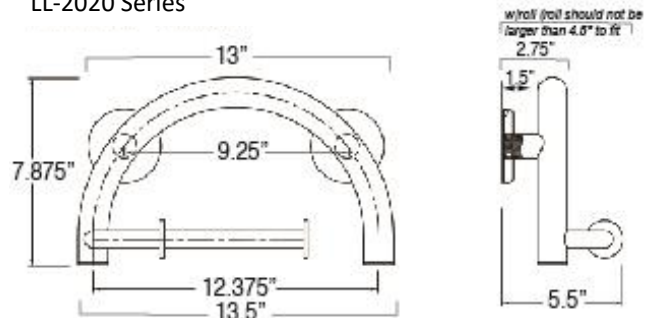
The Life Line Collection

All Toilet Paper Semisphere Grab Bars ship complete with easy to follow instructions, mounting hardware for stud framing and hollow walls. The Life Line Collection has been designed, built and tested to 500lbs. The Toilet Paper Semisphere Grab Bar comes in 4 standard finishes.

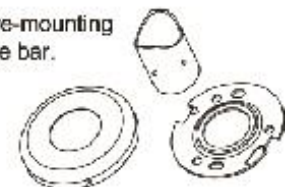
LL-2020SS	SATIN FINISH STAINLESS STEEL
LL-2020PC	POLISHED CHROME
LL-2020BN	BRUSHED NICKLE
LL-2020ORB	OIL RUBBED BRONZE

Custom Finishes Available Upon Request

LL-2020 Series



Easy to mount flange!
3 Set Screws on post allow pre-mounting to the wall before attaching the bar.



Dimension tolerances +/- 3/16"