



GRAB BAR SPECIALISTS

Toll Free: 1-866-585-0399

sales@grabbarspecialists.com

www.grabbarspecialists.com



## Soap Basket Grab Bar

LL – 2060 Series

Soap Basket  
Grab Bar

Stainless steel screws for wood backing and 4 hollow wall togglers included with every bar!

*\*Wingit Compatible (wingits sold separately)*

### Application Use:

Architectural

Commercial

Institutional

Residential

### Specifications

The Soap Basket Grab Bar is manufactured using high quality 18 gauge 1.25" diameter 304 stainless steel. Clean finished look using a concealed flange cover and a wingit compatible flange base with 5 optional screw hole ports makes locating on a stud or hollow wall even easier than ever. 4 hollow wall togglers included with every bar.

The Life Line Collection has been designed, built, and tested to 500lbs exceeding HUD, FHA, VA, ADA, ANSI and other federal, provincial, and local codes.

\*Grab Bars can only be as strong as what they are mounted to. It is imperative when installing any safety product to consult with a qualified contractor to insure you have the sufficient backing to support the seat.



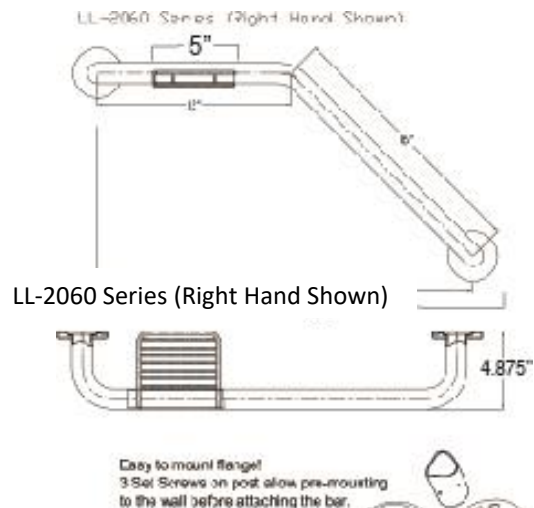
## The Life Line Collection

All Soap Basket Grab Bars ship complete with easy to follow instructions, mounting hardware for stud framing and hollow walls. The Life Line Collection has been designed, built and tested to 500lbs. The Soap Basket Grab Bar comes in 4 standard finishes and is available in either a right hand or left hand orientation.

LL-2060SS	SATIN FINISH STAINLESS STEEL
LL-2060PC	POLISHED CHROME
LL-2060BN	BRUSHED NICKLE
LL-2060ORB	OIL RUBBED BRONZE

**Change RH to LH for Left Hand Orientation**

Custom Finishes Available Upon Request



Dimension tolerances +/- 3/16"