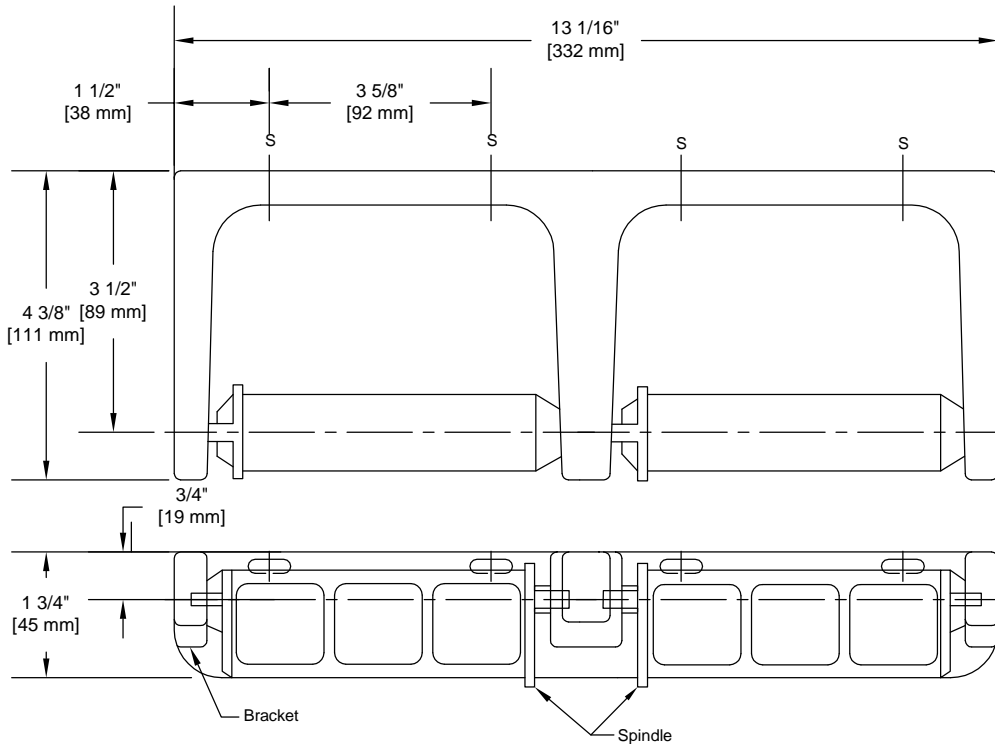


PRODUCT DATA SHEET

Product Description: Controlled delivery double roll toilet tissue holder. Die cast aluminum frame with silver gray finish and a gray polystyrene spindle. Spindle allows one half revolution for each dispensing operation. Spring allows spindle to be released for filling. Holds two standard core toilet paper rolls up to 5 1/2+ in diameter. Unit projects 4 3/8+ from the wall. Ships with mounting hardware.



WITH MOUNTING
HARDWARE

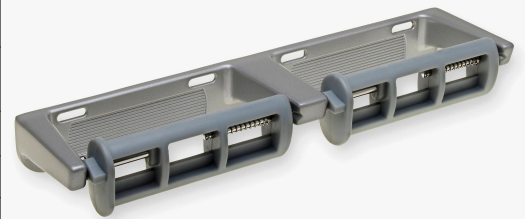
Overall Size: 13 1/16" W X 1 3/4" H X 4 3/8" D

Material: Cast Aluminum & Polystyrene

Finish: Powder Coat Silver Gray

Cross Reference

Manufacturer	Part Number
Bobrick	B-2740
Bradley	5241
ASI	0264-1



Description:

Toilet Tissue Holder, Two Roll, Controlled Delivery

Part Number:

19061

Date

06/10

Rev.

03

Sheet 1 of 1