

**THANK YOU...**

Thank you for purchasing the Invisia™ Shampoo Shelf. We are confident that you will find the unique design and durable construction of this product to be of great assistance in your daily routine.

To fully enjoy your Invisia™ Shampoo Shelf, please take a few moments to read these instructions. You should store these instructions in a safe place for future reference.

**⚠ SAFETY CONSIDERATIONS**

**CAUTION:** It is your responsibility to see that your Invisia™ Shampoo Shelf is properly assembled, installed, and cared for. Failure to follow instructions in this manual could result in serious injury. Support rails can be slippery when wet - use this product with caution.

**INVISIA™ SHAMPOO SHELF INSTALLATION**

The Invisia™ Shampoo Shelf should only be installed in areas where the mounting surface is structurally sound. Strengthening modifications may be required (see page 3 for details). Should not be installed in fiberglass / acrylic shower enclosures with insufficient stiffness and strength. Should not be installed into metal studs. If you are not equipped to undertake the outlined work we recommend that you have your Invisia™ Shampoo Shelf installed by a qualified contractor. **Suggested maximum user weight of support rail is 500lbs/227kg, however this rating is conditional upon suitable fasteners and supporting surface.**

**WARRANTY**

All Invisia™ Collection products are covered by a one year limited warranty with the exception of hand grips which are subject to normal wear. Buyer hereby indemnifies, agrees to hold harmless and defend the manufacturer/ distributor of the Invisia™ Collection from and against any and all liabilities, claims, (founded and unfounded), losses, damages, costs and expenses (including without limitation consequential damages and reasonable professional fees) resulting from buyers specification, application, or improper use of goods described hereon; buyers omission or neglect.

The manufacturer/ distributor of the Invisia™ Collection does not assume any liability for damage resulting from services performed by others or faulty installation, misuse or misapplication of goods.

The manufacturer/ distributor of the Invisia™ Collection shall not be liable for prospective profits or special, indirect, or consequential damages, or for the cost of any corrective work done without prior approval. Manufacturer/ distributor of the Invisia™ Collection total liability hereunder shall in no event exceed the purchase price of the goods specified hereon.

**TOOLS REQUIRED**

- Level
- Hammer
- Stud Finder
- Personal Protective Eyewear
- Carbide tip drill suitable for tile
- Protective blanket

**FASTENERS: INSTALLATION & MAINTENANCE**

The Invisia™ Shampoo Shelf must be secured to the wall with all points fastened appropriately to structural wood (wood studs, reinforced wood framing, etc.). Inspect, or have inspected (and tighten if necessary) the screws on a monthly basis. See Page 3 for structural reinforcement suggestions.

**★ FULL MOUNTING  
STRUCTURE ★  
(RECOMMENDED)**

All mount points fasten into structural wood  
(wood studs, reinforced wood framing, etc.)

- #10 x 3" S/S Screw and Lock Washer (for wall stem installation) x2
- +
- #10 x 2" S/S Screw (for plate installation) x2

500lbs load capacity

**TIPS FOR DRILLING INTO TILE**

- Use carbide tipped masonry drill on ceramic, or consider a diamond tip drill for porcelain tile.
- If possible, drill a smaller pilot hole first.
- Be careful to prevent the drill from moving when you first start it rotating - use duct tape or a wood guide on the surface of the tile to hold the drill from walking sideways.
- A variable speed drill on slow is best to start the hole. Do not apply too much pressure when drilling. Do not use a hammer drill.

**WATERPROOFING**

We recommend that sealant be applied around the wall contact points for any products mounted in the shower. If not properly sealed, there is the potential for water to seep into the wall. This may cause the wood to rot, thus compromising the structure the support rail is attached to.

**SOLID SURFACES: CLEANING AND MAINTENANCE**

The tray is made from a durable, non-porous, solid surface material that resists the growth of bacteria. Clean with general household cleaners. The surfaces & edges can be sanded and buffed to repair if necessary.

## MOUNTING LOCATION

We strongly recommend that you give some thought as to the optimal location of your Invisia™ Shampoo Shelf before installation. The following suggestions are offered for your consideration, however, it is recommended to consider advice from the appropriate healthcare professional for locating any support rail.

To determine the optimal location, we recommend holding the rail in place and walking through the motions of a transfer (sitting, standing, reaching, etc.). Recommended installation locations include: faucet, side or back wall of bathtub. Consider the following when determining the optimal mounting location:

1. If possible, move mounting location to match structure behind the wall (NOTE: product mounting holes are located on 16" centers to conveniently align with standard wall stud spacing as shown in **Figure 5**).
2. Avoid electrical / plumbing behind the wall.
3. Where possible, drill through tile - not through grout.

## INVISIA™ SHAMPOO SHELF INSTALLATION

Place a blanket down in the area that you will be installing the Invisia™ Shampoo Shelf to protect the area from parts that may fall during installation. The proposed mounting location must be cleaned prior to installation.

**A1.** Mark the horizontal and vertical location of the Invisia™ Shampoo Shelf.

**A2.** Using supplied hex-key, back off set screw in the rail sockets so the wall stems can move in and out freely as shown in **Figure 2a and 2b**.

**A3.** On back of wall stems, peel off backing to expose adhesive side of rubber gasket washer.

**A4.** With the wall stems inside the rail sockets, push rail firmly against wall in marked location as shown in **Figure 3a**.

**A5.** Remove the rail as straight as possible as to not pull the wall stems off from the wall as shown in **Figure 3b**. **NOTE:** The peel and stick is not meant to be a permanent adhesive.

**A6.** Use the wall stem as a locating guide and mark with supplied center punch. Drill a pilot hole using the appropriate drill bit for the fastener. Fasten the wall stem to the wall with the appropriate fastener and lock washer.

**A7.** Place the rail back onto the wall stems, and secure rail by tightening the set screw with supplied hex key as shown in **Figure 4**. The rail will pull into the stems as the set screw is tightened.

**A8.** Mark off on the wall the hole locations of the plate. Drill pilot holes using the appropriate drill bit for the fasteners.

**A9.** Fasten the rail with the appropriate fasteners as shown in **Figure 5**.

**NOTE:** Perform a final tighten and inspection of all fasteners. Test the installation by vigorously pulling on the support handle of the Invisia™ Shampoo Shelf.

**A10.** Install the plastic tap caps to cover the screws.

**A11.** Remove the adhesive cover on the back of the rubber bumpers and place them on the bent metal bars (exposed adhesive facing upwards) as shown in **Figure 5**. Slide the tray in from the side and center with the Invisia™ Shampoo Shelf. Apply downward force so the adhesive sticks to the bottom of the tray. These rubber bumpers will hold the tray in place.

Your Invisia™ Shampoo Shelf is now installed.

Figure 1.

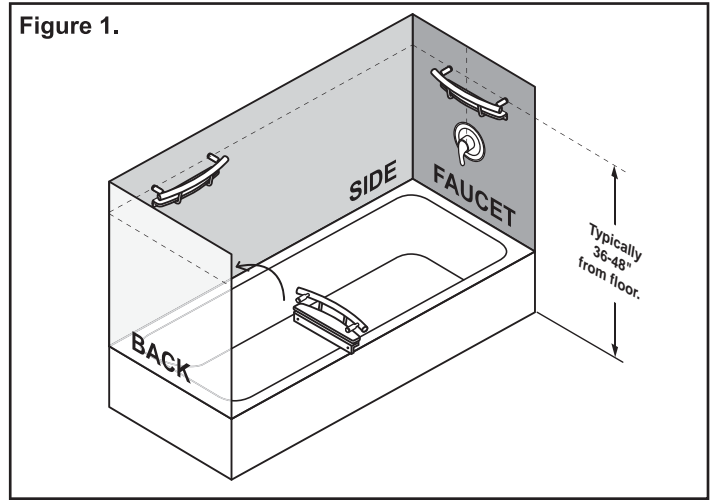


Figure 2a.

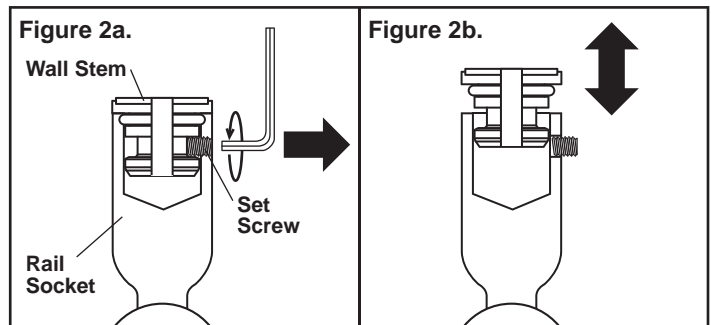


Figure 3a.

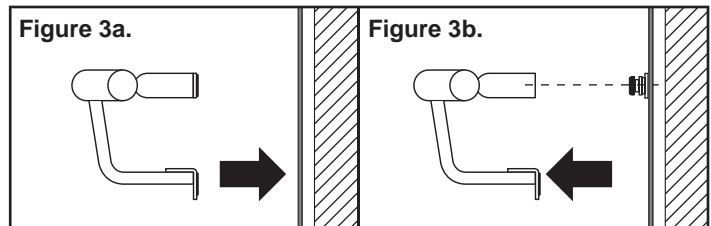


Figure 4.

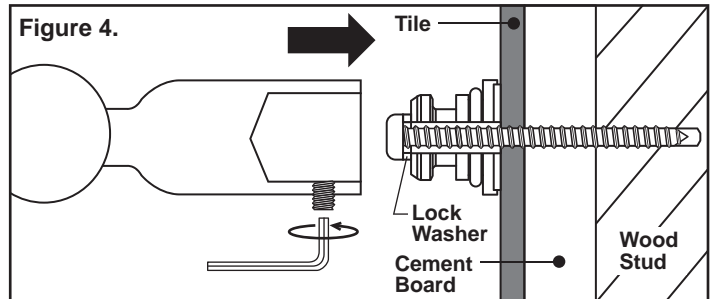
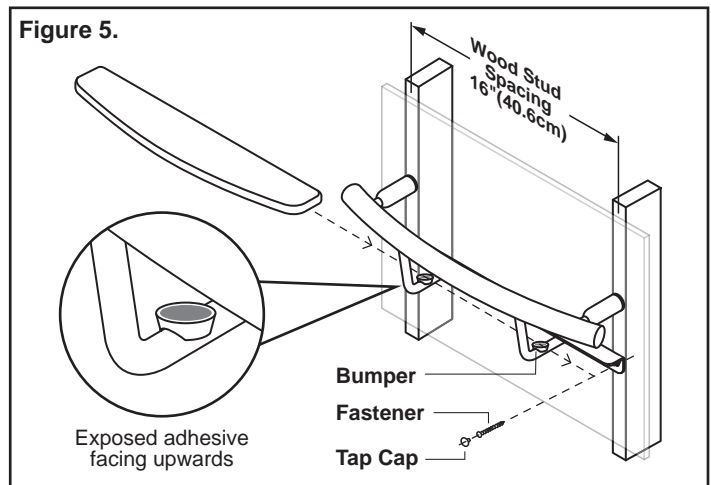


Figure 5.



## TIPS FOR LOCATING A WOOD STUD

- For drywall surfaces, use a stud sensor to locate a stud.
- For tile surfaces, try a stud sensor to locate a stud. If no stud is found, measure 16" from a perpendicular wall. Drill a small hole in the grout to ensure the stud has been found. If there is no stud at this location, bend a piece of wire in a "L" shape and insert it through the hole. Spin the wire to determine exactly where the stud is located and mark its location. Patch all holes with silicone to keep moisture out of the wall.
- If there is access to the backside of the bathroom wall (i.e. through a closet), measure the stud location and transfer the measurements into the bath area.

## STRUCTURAL REINFORCEMENT SUGGESTIONS

**NOTE:** Due to variances in local construction methods and materials used, details given below are suggestions only. Consult the appropriate local contractor for specific advice. For concrete walls, you may be able to install fasteners (such as a wedge anchor) directly into the concrete wall without modification.

If there is access to the backside of the bathroom wall (i.e. through a closet) and structural reinforcement is required, consider cutting a hole in this backside wall to allow access to the bathroom wall from behind (without having to remove / replace ceramic tiles).

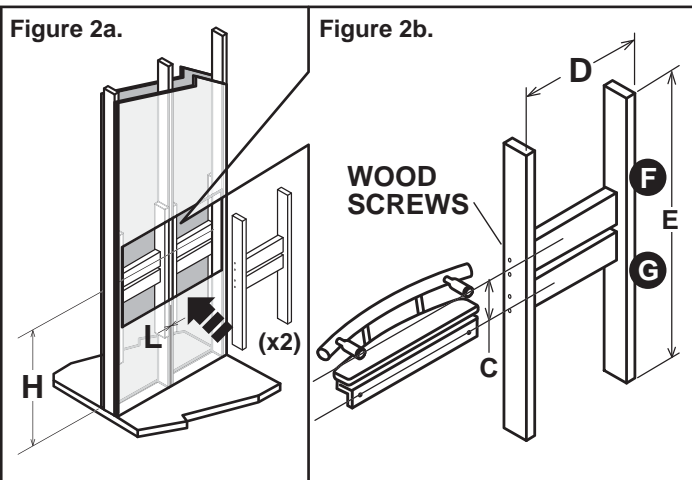
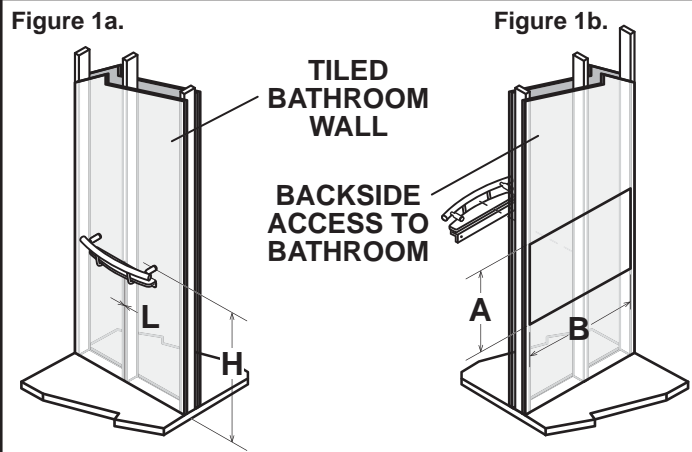
1. Choose optimal mounting location of rail, including height (H) and side to side location (L) as shown in **Figure 1a**. Mark the height and location on the wall for future reference. **NOTE:** If accessing the bathroom wall from the backside, transfer the measurements for the support rail location to the backside wall as shown in **Figure 1b**.

2. Find wall support studs & cut hole in wall board to expose wall studs as shown in **Figure 2a**. Suggested hole size is height (A) of 18-24" (48-61cm) and width (B) corresponding to wall stud spacing. Expose half width of each stud to facilitate re-installation of wall board patch. **IMPORTANT: Avoid any utilities located in wall!**

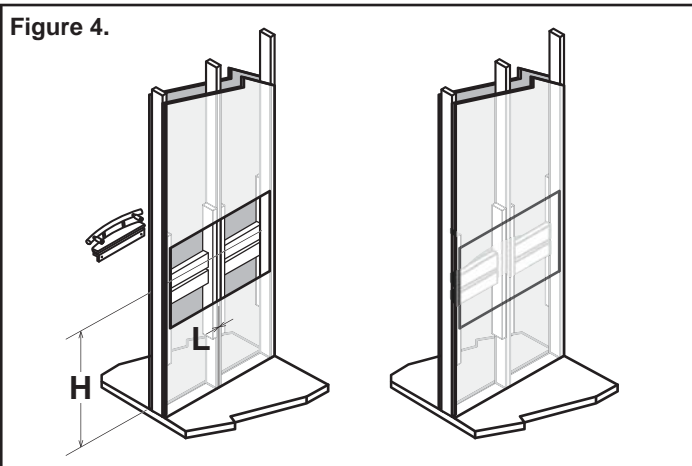
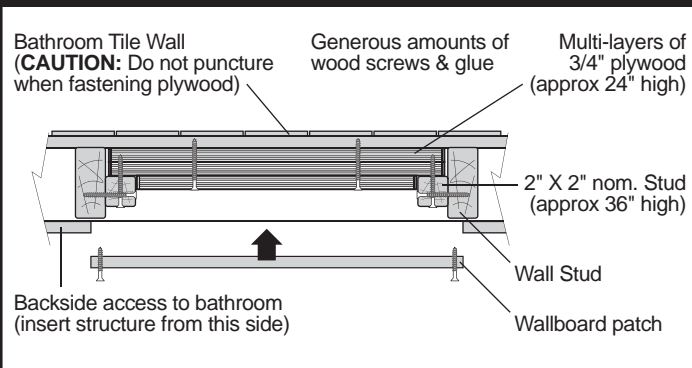
3. Fabricate a support frame structure from suitable wood pieces as shown in **Figure 2b**. Support frame width (D) should fit snugly within wall studs. Support frame height (E) should be from 24-32" (61-81cm) high or more, depending on material and stiffness of wall studs. Locate top cross member (F) to position in line with top rail stem when rail is located at the height (H). Lower cross member (G) should be spaced at  $C = 4"$  (10.2cm) center to center from top cross member. Hold the support rail against the support frame to confirm the cross members are in the correct location. Use a generous quantity of wood screws and glue to hold the support frame structure together as shown. See alternative to support frame as shown in **Figure 3**.

4. Insert support frame structure through hole in wall and secure uprights to wall studs using a generous amount of wood screws.

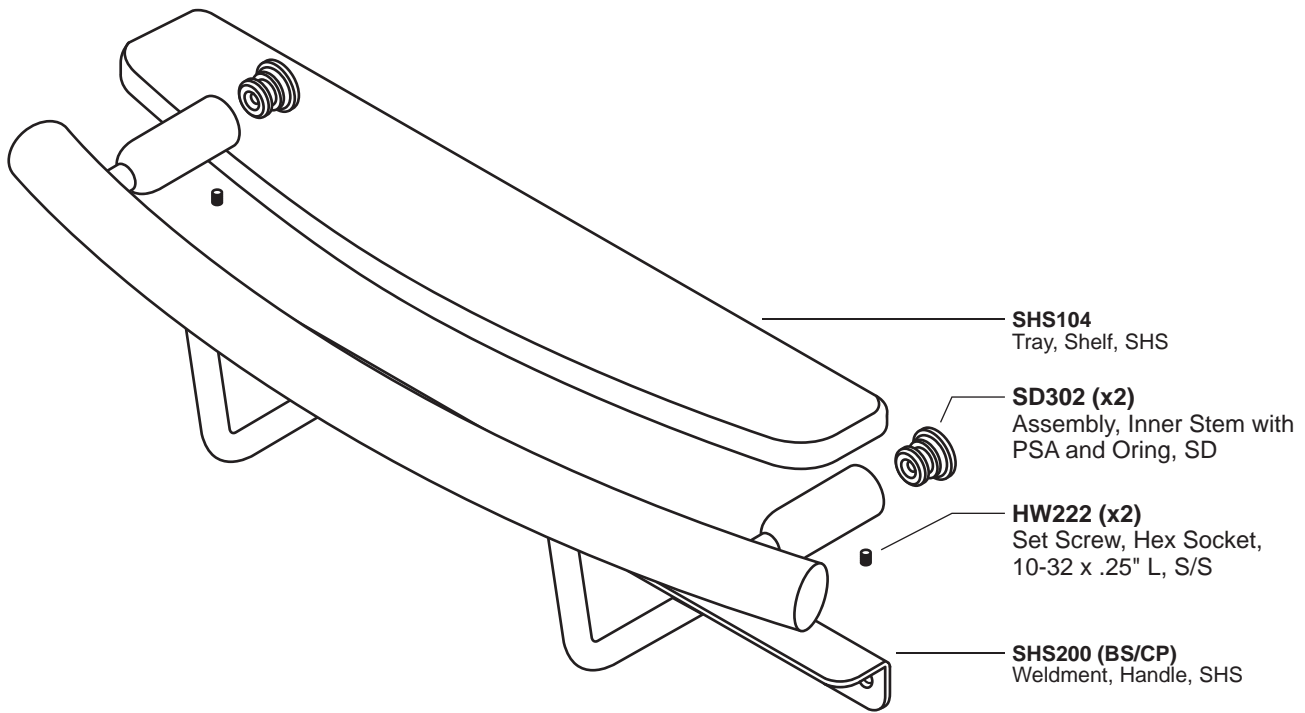
5. Complete the Invisia™ Shampoo Shelf installation instructions on Page 2. Then, patch the wall cutout (if backside access to bathroom, consider making an access panel for future servicing) to match the surrounding wall as shown in **Figure 4**.



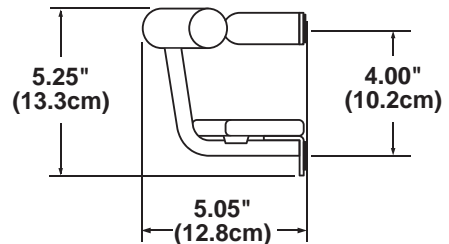
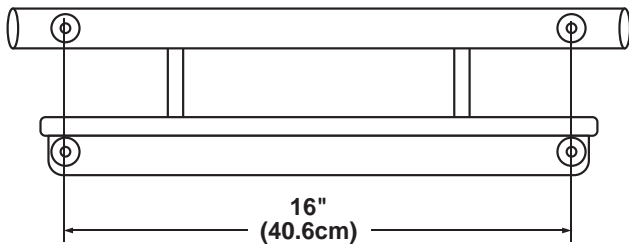
## FIGURE 3: ALTERNATIVE TO SUPPORT FRAME - MULTI-LAYER PLYWOOD INSIDE WALL WITH WALLBOARD PATCH (TOP VIEW)



**INVISIA™ SHAMPOO SHELF**



**DIMENSIONAL DRAWINGS**



**HARDWARE**

**HW175 (for wall stem installation)**  
Screw, PPH WS, #10-24 x 3", S/S **x2**

**HW177 (for wall stem installation)**  
Washer, Lock, Split, #10 18-8 S/S **x2**

**HW199 (for plate installation)**  
Screw, FPHSMS, #10-12 x 2", S/S **x2**

**HW197/198**  
Tap-Cap **x2**

**SHS105**  
Bumper **x2**

**SD107**  
Bar, Center Punch, SD **x1**

**HW300**  
Hex-Key, 3/32 in., Short Arm **x1**