

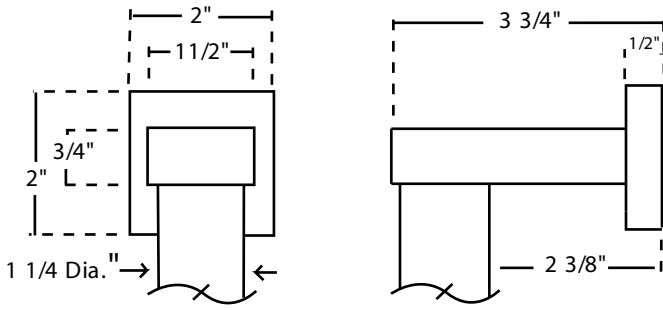
# Grab Bar Specification and Installation Sheet

(All Grab Bars shown are ADA Compliant)

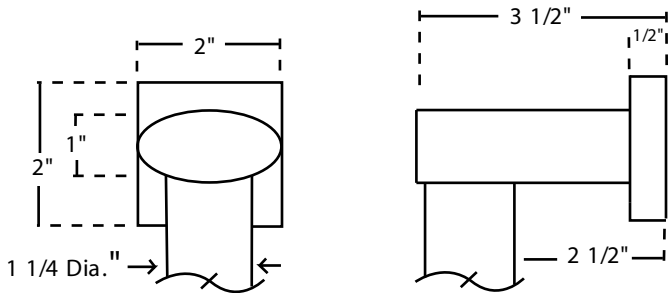
**Paul** DECORATIVE PRODUCTS

195 Duke Street  
 Louisa, Va. 23093  
 540 967-0400 phone  
 540 967-5948 fax  
 sales@pauldecorative.com

## GREENWICH COLLECTION™ Grab Bars

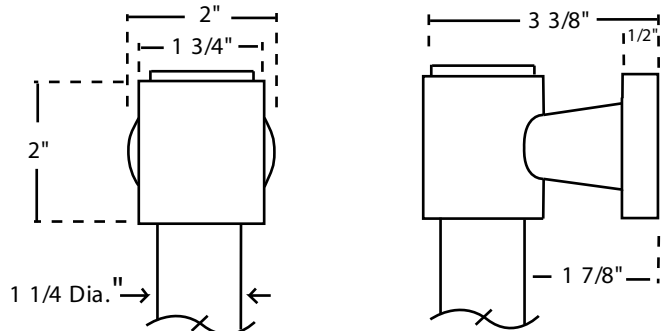


**#G5340-66, 67, 68 Capella Grab Bar**

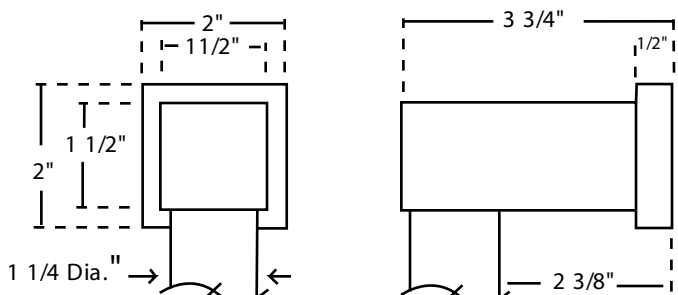


**#G5490-66, 67, 68 Infinity Grab Bar**

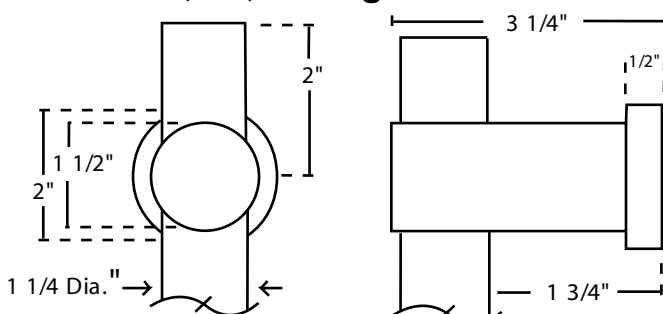
## CUSTOM LINE™ Grab Bars



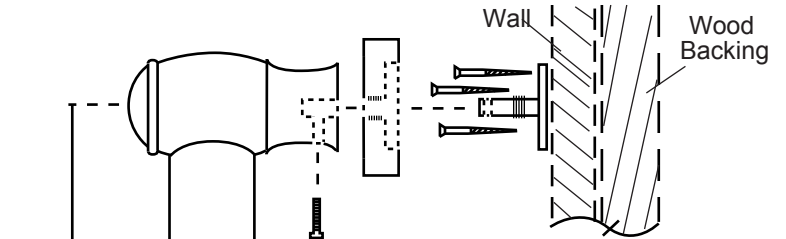
**#4238-66, 67, 68 Moderne Grab Bar**



**#3328-66, 67, 68 Argo Grab Bar**



**#3228-66, 67, 68 Rouleau Grab Bar**



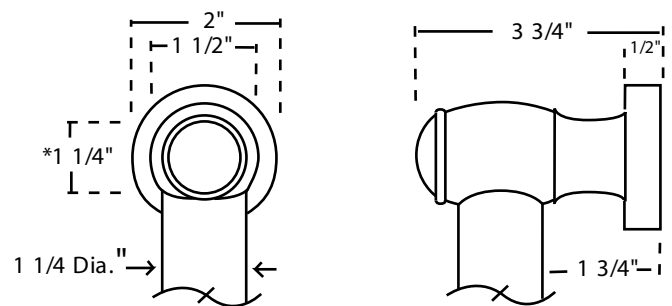
### INSTALLATION INSTRUCTIONS:

**Note: The wall needs to have a strong wood backing to safely attach the bar.**

- 1) Mark the wall with the center to center locations for the two mounting plates.
- 2) Hold the mounting plate centered over the mark. Make sure the threaded hole in the mounting plate post is aligned with the machine screw hole in the bracket.
- 3) Mark the three screw hole locations for each mounting plate and drill pilot holes.
- 4) Fasten each mounting plate with the three wood screws.
- 5) Thread the backplates onto the mounting posts. Slide the grab bar brackets onto the mounting plate posts and fasten the screws.

12", 18" or 24"  
 On Center

## PAUL CLASSICS™ Grab Bars



**C79x-66, 67, 68 Paul Classics™ Grab Bar**

\*Caps available in Metal(x=6), Porcelain(x=7) or Crystal(x=8)

For more information,  
 contact customer service  
 Made in the USA

Rev. Date 11/05
GRAB BAR SPECS - 3 LINES
Includes brass mounting plates, 2 machine screws & 6 wood screws.

66=12" c-c, 67=18" c-c, 68=24" c-c

\* AVAILABLE IN CUSTOM LENGTHS