

# SEACHROME

SEACHROME CORPORATION

Phone: (800) 955-2476

Fax: (800) 444-3380

www.seachrome.com

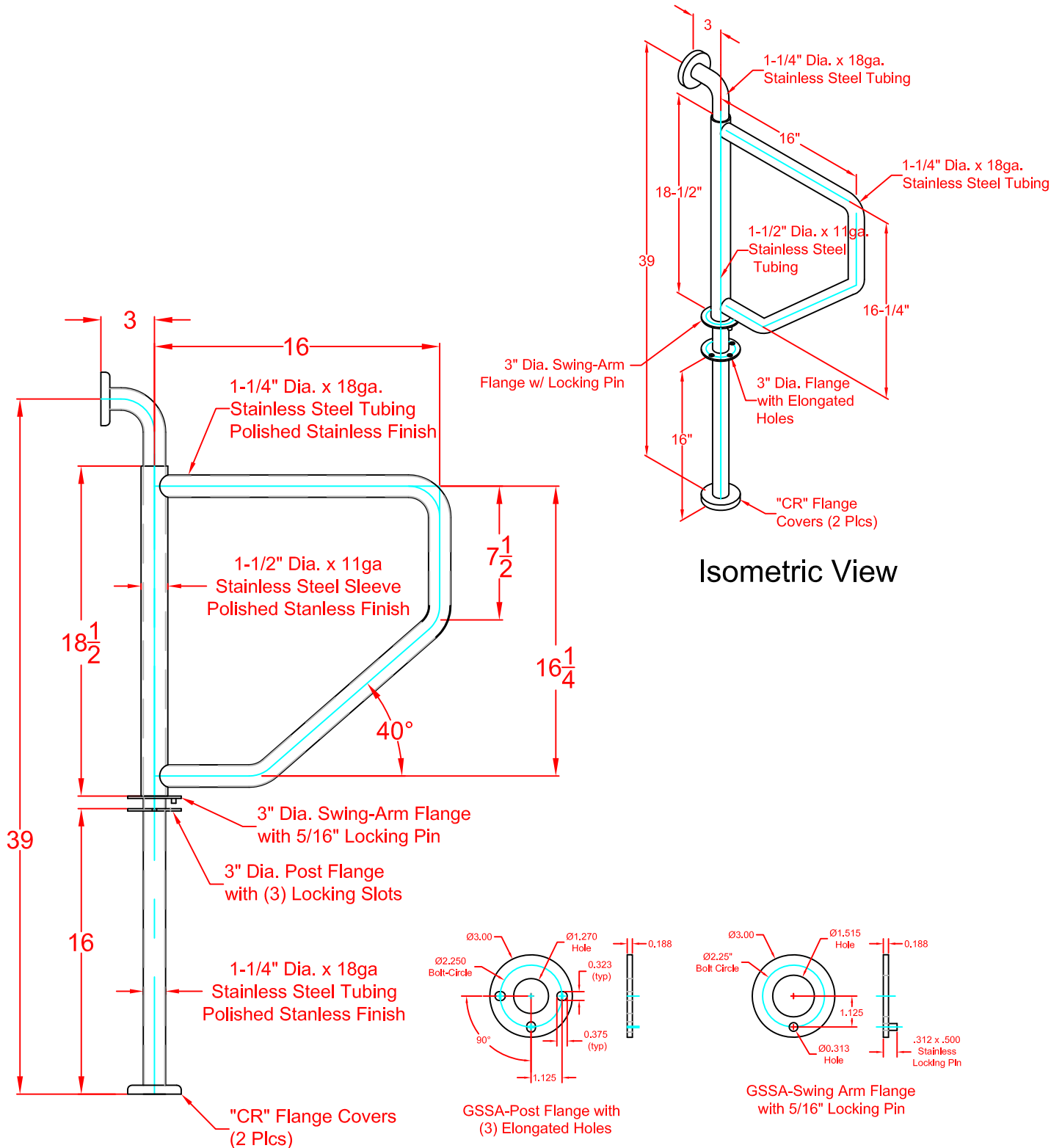
Description:

GW-4339-QCR-PS  
Wall to Floor Swing Away Bar  
(Polished Stainless Finish)

Customer:

Customer Part #

06-20-2012



This drawing and the information contained herein is proprietary to Seachrome Corp. and shall not be reproduced, copied or disclosed in whole, or part, or used for manufacturing or for any other purpose without the written permission of Seachrome Corporation.

# SEACHROME

SEACHROME CORPORATION

Phone: (800) 955-2476

Fax: (800) 444-3380

www.seachrome.com

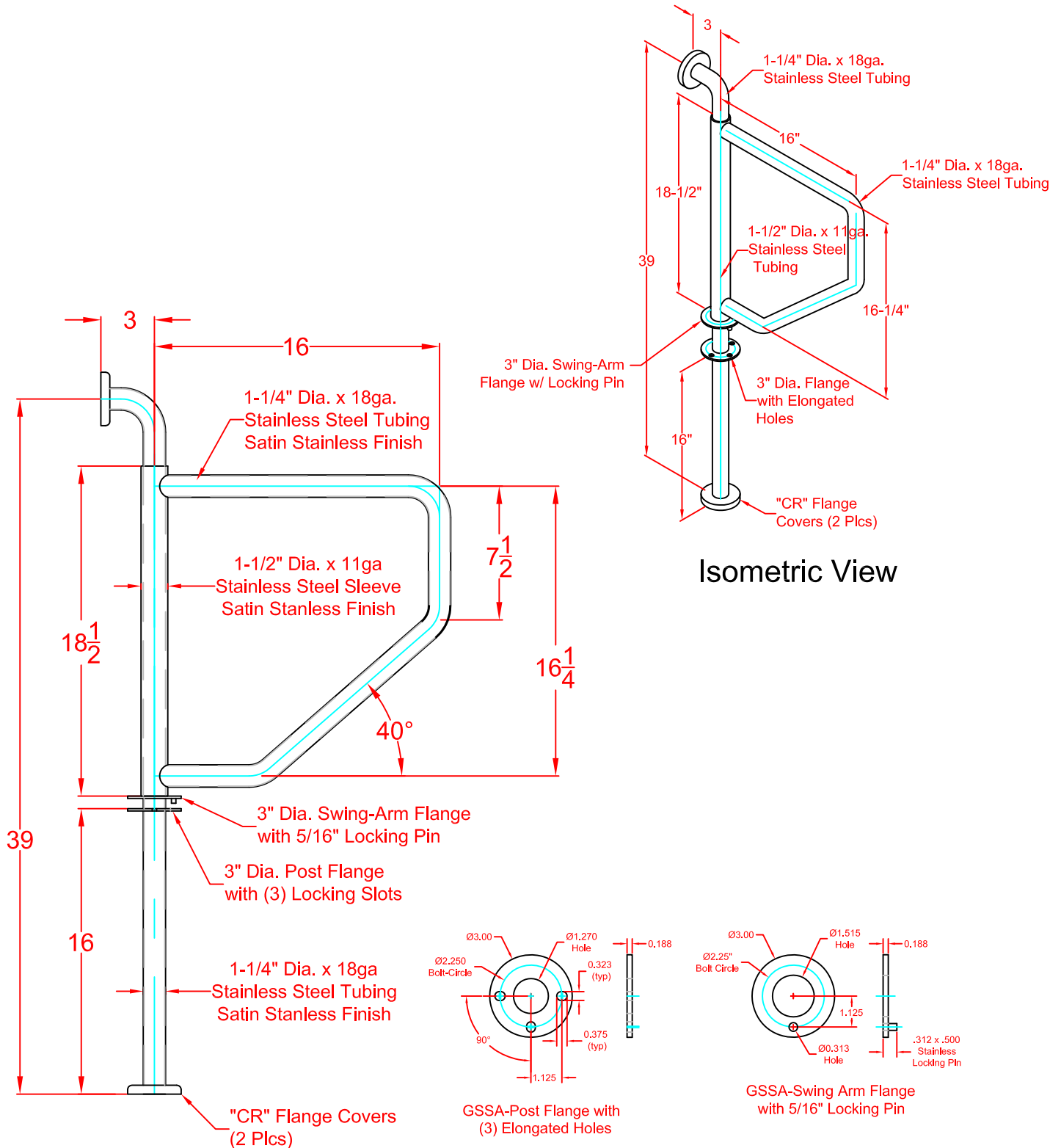
Description:

GW-4339-QCR-SS  
Wall to Floor Swing Away Bar  
(Satin Stainless Finish)

Customer:

Customer Part #

06-20-2012



This drawing and the information contained herein is proprietary to Seachrome Corp. and shall not be reproduced, copied or disclosed in whole, or part, or used for manufacturing or for any other purpose without the written permission of Seachrome Corporation.