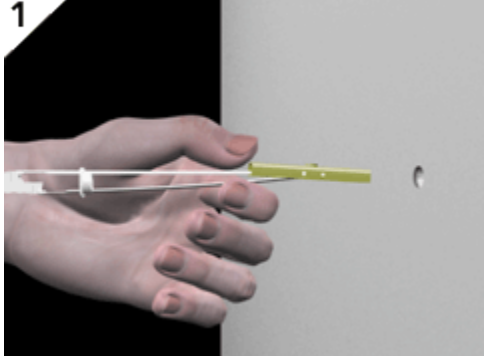
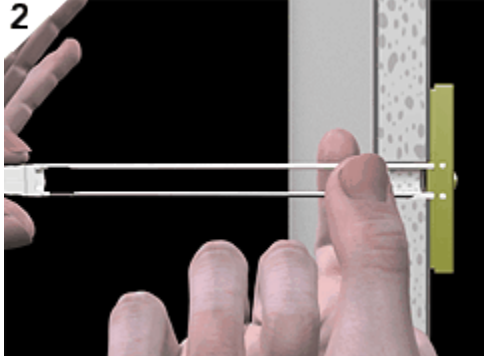
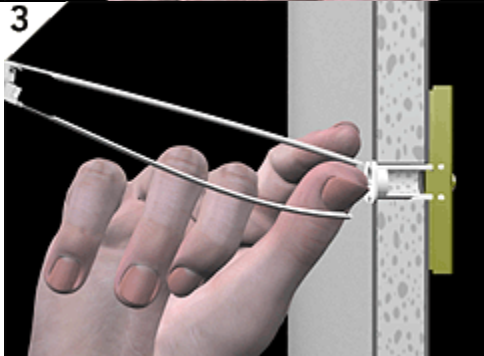
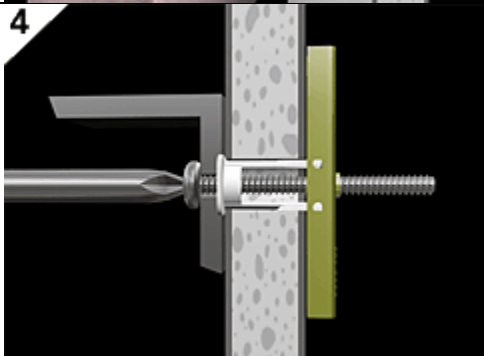
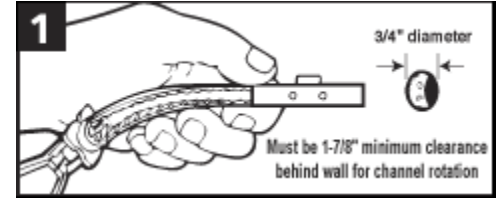
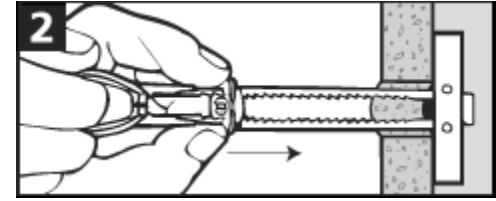
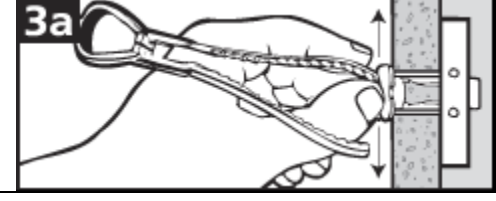
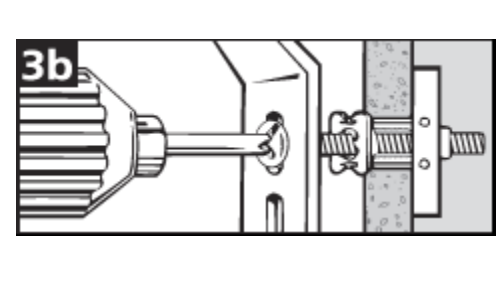


Toggler Snap Toggle Bolts Installation Instructions

 <p>1</p>	<p>Drill 1/2" (Ø13mm) hole. Hold metal channel flat alongside plastic straps and slide channel through hole. Minimum clearance behind wall: 1 7/8" (48mm).</p>
 <p>2</p>	<p>Hold ends of straps between thumb and forefinger and pull toward you until channel rests flush behind wall. Slide plastic cap along straps with other hand until flange of cap is flush with wall.</p>
 <p>3</p>	<p>Snap straps at wall by pushing side to side, snapping off straps level with flange of cap.</p>
 <p>4</p>	<p>Drill 1/2" (Ø13mm) hole. Hold metal channel flat alongside plastic straps and slide channel through hole. Minimum clearance behind wall: 1 7/8" (48mm).</p>

	<p>1. Drill a 3/4" (Ø19mm) hole. Hold metal channel flat alongside plastic straps and slide channel through hole. Minimum clearance behind wall: 1-7/8" (48mm).</p>
	<p>2. With one hand, pull plastic ring and hold straight so that metal channel rests flush behind wall, as you slide plastic cap along straps with other hand until flange of cap is flush with wall.</p>
	<p>3. Place thumb between plastic straps. Push side to side, snapping off straps at wall.</p>
	<p>4. Place item over flange. Insert bolt through item and tighten until flush against item, then stop. Use machine screw or bolt to match thread in channel: BC (3/8"-16), BD (1/2"-13), BM8 (M8), and BM10 (M10). Bolt length = item thickness + wall or ceiling thickness + 1/2" (13mm)</p>