

## OPERATION

To operate, push the switch on the end of the Towel Rack by the cord set. It will be illuminated when on and will be dull when off.

Your Warmrail Heated Towel Rack costs less or similar to run to a regular light bulb. It will take approximately 45 minutes for the Heated Towel Rack to reach its operating temperature, although this time will be shorter if towels are in place.

The Warmrails Heated Towel Rack operates with a fixed power output, (typically 90° F above the ambient temperature). However, when operated with several layers of towels over the Heated Towel Rack, the temperature will increase as much as 105° F above ambient. Once the towels are removed and where the rails are exposed, the temperature of the Heated Towel Rack will quickly drop back. When operating correctly, the Heated Towel Rack, although hot to the touch, is not hot enough to cause scorching (even a temperature of 115° F appears hot to the touch).

Please note: damp or wet material that has either been dyed, or is not colorfast, can cause discoloration in the finish if that material is draped over a Heated Towel Rack while hot. Again, it is suggested that items are dried by using a completely protective layer of material such as a towel underneath.

**Warning—this appliance is intended only for drying textiles washed in water. Fabrics that contain soap or detergent residue may show what appears to be scorch marks. However this is simply the discoloration of the residue. The Heated Towel Rack does not reach sufficient temperature to scorch fabric.**

**Warmrails does not accept responsibility for any damage, discoloration or other damage to any item regardless of circumstance. To reduce the possibility of damage, do not place any items other than towels directly on the Heated Towel Rack—always have a completely protective layer of towels between the Heated Towel Rack and any other item.**

## CARE

The Heated Towel Rack should be wiped down from time to time with a damp cloth.

**Do not use any abrasive or corrosive cleaners.**

Marketed and Distributed by

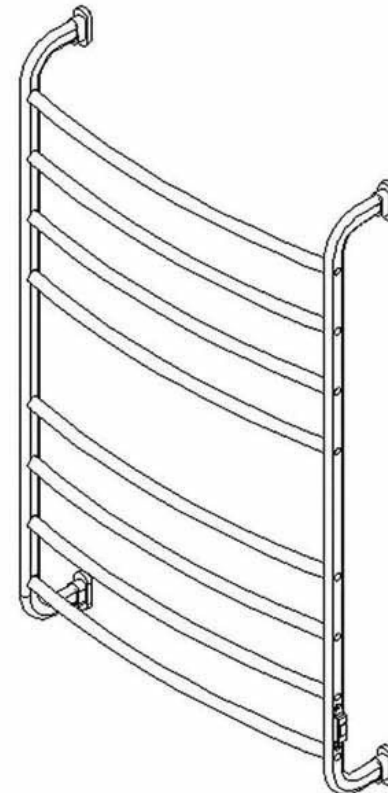
Warmrails

Huntington Beach, CA 92649  
Phone Toll Free: (877) 927-6724

# Warmrails

## towel warmer and drying rack

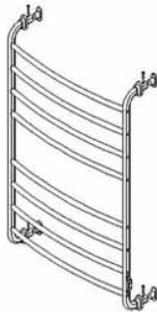
### KENSINGTON INSTRUCTION MANUAL



## ASSEMBLY

This appliance must be used in accordance with any prevailing electrical code and relevant electrical wiring rules and regulations and in particular those regulations that cover use of appliances and accessories in damp situations such as bathrooms, showers, laundries and other areas with fixed water containers.

- Your Warmrail comes complete with all the mounting hardware you require, which includes 8 screws, 8 wall anchors, 4 wall brackets, 4 bracket covers and 4 locking pins.
- Position the four bracket covers on the Heated Towel Rack (refer to the diagram).
- Insert wall brackets attachments (the pieces with two screw holes) into the four mounts on the unit and secure in place by inserting locking pin through the hole you will see at the top of each of the mounts (if you can't see the holes, you have the unit up-side down).
- With the wall brackets now firmly attached, hold the Heated Towel Rack against the wall at the location you would like it to be installed.
- Use a pencil or pointed tool to mark the location of the screw holes spaces onto the wall through the screw holes in the wall brackets. Put the Heated Towel Rack aside and drill pilot holes through the marks you have made on the wall.
- Where a stud is conveniently located, you can just use the screws to attach the wall bracket. For the remaining wall brackets, use the wall anchors supplied to firmly anchor the screws into the dry wall.
- Push the anchors into the dry wall (you may need to make larger pilot holes where the wall anchors are located).
- Put the screws through the holes in the wall brackets, then hold the Heated Towel Rack back in position on the wall.
- Tighten the screws until the wall brackets are flush against the wall. Gently push the bracket covers towards the wall to cover the wall plate.
- Once securely attached to the wall, the unit can be plugged into an electrical outlet (we recommend using a GFI protected outlet) and your Warmrail is ready for use. Please note, the Kensington must be installed with the power entry coming out from the bottom right hand side of the unit.



## SAFETY INFORMATION

When using any electrical appliance, basic safety precautions should always be observed.

### READ THESE INSTRUCTIONS CAREFULLY

- Do NOT use this appliance for other than its intended use.
- To avoid a hazard, the Heated Towel Rack MUST NOT be used to hold towels or any other articles that have been in contact with oil, petroleum based products or dry cleaning fluids (unless completely protected by a layer of material such as a towel underneath).
- Use this appliance only on the voltage specified on the rating plate, or elsewhere in the instructions.
- Regulations require that only authorized persons carry out electrical work. For your own safety and that of others, ensure this is done.
- This appliance is not intended for use by young children or infirm persons without supervision.
- Young children should be supervised to ensure they do NOT play with this appliance.
- Do NOT store your Heated Towel Rack while hot or still connected to the power supply.
- Do NOT immerse the Heated Towel Rack in water or any other liquid.
- Do NOT allow the cord set to come into contact with heated surfaces during operation.
- This product should NOT be used outdoors.

If the power supply cord for this equipment becomes damaged it must be replaced with the special cord or assembly. Special tools are required for the replacement of the power supply cord and element. A qualified electrician must undertake this replacement.

## SPECIFICATIONS

HEIGHT	WIDTH	DEPTH
39 <sup>1</sup> / <sub>4</sub> "	24 <sup>1</sup> / <sub>2</sub> "	6"

Supply: 120 volts a.c. 60 Hz, single phase